



# BFL250

type:

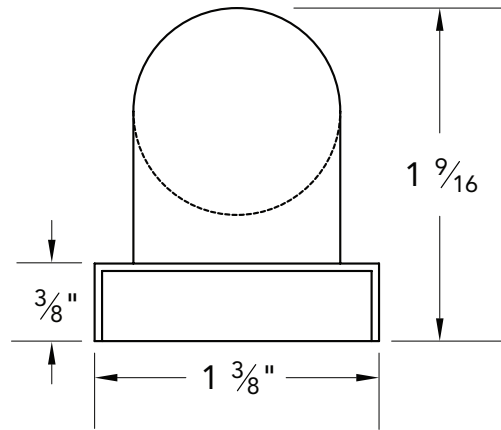
## LINEAR T8 FLUORESCENT

low profile linear T8 fluorescent architectural fixture for remote ballast installations

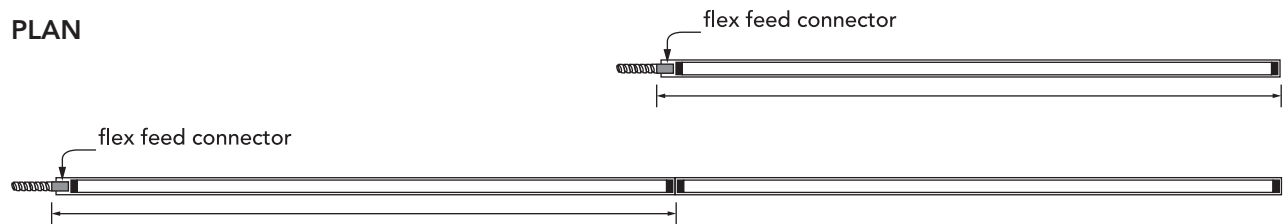
- SPECIFICATIONS**
- Fully assembled housing is formed, 20 ga. steel, chemically treated to resist corrosion and enhance paint adhesion
  - Standard finish is high reflectance white powder coat, applied post production
  - Installed end feed connector accepts 3/8" steel flex conduit (available separately)
  - Wired with 12' leads for instant start ballast operation
  - Easy mounting through provided holes in housing
  - Available for T8 13W, 14W, 15W, 17W, 25W, 32W, or 40W linear fluorescent lamp in single and tandem lamp models
  - UL and ULC listed for dry and damp locations
  - Requires a remote ballast and enclosure (ordered separately)
  - IBEW

**NOTE:** Lamp holders are wired for instant start ballasts. For rapid start wiring, add suffix "/RS" to catalog number.

### PROFILE



### PLAN



SPECIFICATION / ORDER FORMAT		DIMENSIONAL INFO.	
model no.	options	lamp	overall length
BFL250-13	/RS - rapid start wiring	13w T8	13 1/16"
BFL250-14	/DL - damp location	14w T8	16 9/16"
BFL250-15	/CU - custom finish (consult factory)	15w T8	19 1/16"
BFL250-17		17w T8	25 1/16"
BFL250-25		25w T8	37 1/16"
BFL250-32		32w T8	49 1/16"
BFL250-40		40w T8	61 1/16"
BFL250-59		59w T8	97 1/16"
BFL250-2525		2 x 25w T8	72 15/16"
BFL250-3232		2 x 32w T8	96 15/16"

**LENSES** | Two-piece system comprised of polycarbonate channel and striated snap-on cover

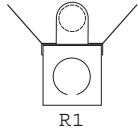


U8LNP Clear fine prismatic acrylic lens with mounting clips (sold by the foot) \_\_\_ft.  
 U8LNCF Frosted acrylic lens with mounting clips (sold by the foot) \_\_\_ft.

**TUBE GUARD |**

TG Tube Guard (sold by the foot) \_\_\_ft.

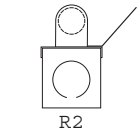
**REFLECTORS** | 20 ga. steel construction, white powder coat finish (consult factory for optional reflector materials and finishes)



R1

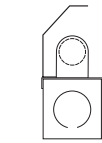
**SYMMETRICAL**  
 250-R1-13 BFL250-13  
 250-R1-14 BFL250-14  
 250-R1-15 BFL250-15  
 250-R1-17 BFL250-17  
 250-R1-25 BFL250-25  
 250-R1-32 BFL250-32  
 250-R1-40 BFL250-40  
 250-R1-59 BFL250-59  
 250-R1-2525 BFL250-2525  
 250-R1-3232 BFL250-3232

**for fixture model**



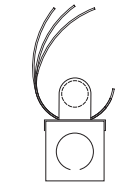
R2

**ASYMMETRICAL**  
 250-R2-13 BFL250-13  
 250-R2-14 BFL250-14  
 250-R2-15 BFL250-15  
 250-R2-17 BFL250-17  
 250-R2-25 BFL250-25  
 250-R2-32 BFL250-32  
 250-R2-40 BFL250-40  
 250-R2-59 BFL250-59  
 250-R2-2525 BFL250-2525  
 250-R2-3232 BFL250-3232



R3

**INSIDE ASYMMETRICAL**  
 250-R3-13 BFL250-13  
 250-R3-14 BFL250-14  
 250-R3-15 BFL250-15  
 250-R3-17 BFL250-17  
 250-R3-25 BFL250-25  
 250-R3-32 BFL250-32  
 250-R3-40 BFL250-40  
 250-R3-59 BFL250-59  
 250-R3-2525 BFL250-2525  
 250-R3-3232 BFL250-3232



RE

**ELLIPTICAL**  
 250-RE-13 BFL250-13  
 250-RE-14 BFL250-14  
 250-RE-15 BFL250-15  
 250-RE-17 BFL250-17  
 250-RE-25 BFL250-25  
 250-RE-32 BFL250-32  
 250-RE-40 BFL250-40  
 250-RE-59 BFL250-59  
 250-RE-2525 BFL250-2525  
 250-RE-3232 BFL250-3232