



# BFL272-S

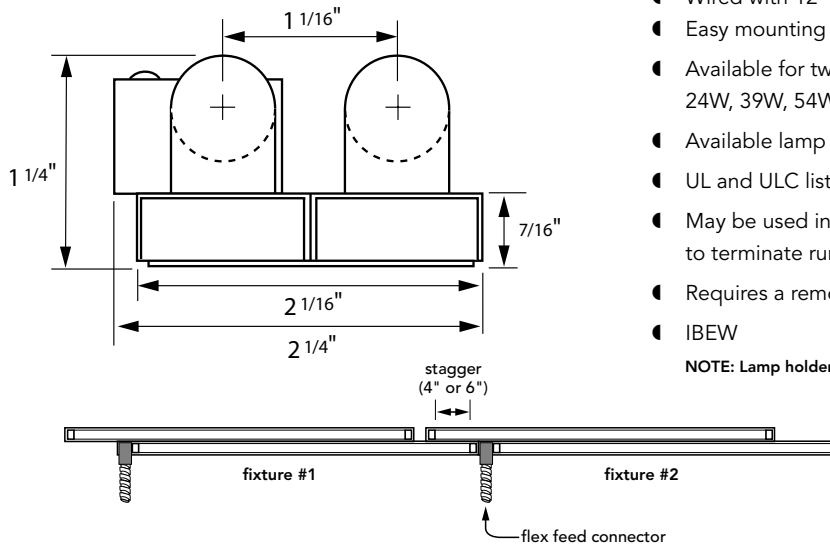
type:

## LINEAR T5 FLUORESCENT

remote ballast two lamp stagger T5 fluorescent fixture

- SPECIFICATIONS |**
- Fully assembled housing is formed, 20 ga. steel, chemically treated to resist corrosion and enhance paint adhesion
  - Standard finish is high reflectance white powder coat, applied post production
  - Rotational locking lamp holders
  - Installed end feed connector accepts 3/8" steel flex conduit (available separately)
  - Wired with 12' leads
  - Easy mounting through provided holes in housing
  - Available for two T5 14W, 21W, 28W, 35W and high output 24W, 39W, 54W, 80W linear fluorescent lamps
  - Available lamp overlaps of 4" or 6"
  - UL and ULC listed for dry and damp locations
  - May be used in conjunction with BFL270 single lamp fixture to terminate runs
  - Requires a remote ballast and enclosure (ordered separately)
  - IBEW

**NOTE:** Lamp holders are wired for rapid start ballasts.



SPECIFICATION / ORDER FORMAT		DIMENSIONAL INFO.		
model no.	options	lamp	overlap	overall length
BFL272-S14/4/RS	/CU - custom finish (consult factory)	2 x 14w T5	4"	27-7/16"
BFL272-S21/4/RS		2 x 21w T5	4"	39-1/4"
BFL272-S28/4/RS		2 x 28w T5	4"	51-5/16"
BFL272-S35/4/RS		2 x 35w T5	4"	62-7/8"
BFL272-S24/4/RS		2 x 24w T5 HO	4"	27-7/16"
BFL272-S39/4/RS		2 x 39w T5 HO	4"	39-1/4"
BFL272-S54/4/RS		2 x 54w T5 HO	4"	51-5/16"
BFL272-S80/4/RS		2 x 80w T5 HO	4"	62-7/8"
BFL272-S14/6/RS		2 x 14w T5	6"	29-7/16"
BFL272-S21/6/RS		2 x 21w T5	6"	41-1/4"
BFL272-S28/6/RS		2 x 28w T5	6"	53-5/16"
BFL272-S35/6/RS		2 x 35w T5	6"	64-7/8"
BFL272-S24/6/RS		2 x 24w T5 HO	6"	29-7/16"
BFL272-S39/6/RS		2 x 39w T5 HO	6"	41-1/4"
BFL272-S54/6/RS		2 x 54w T5 HO	6"	53-5/16"
BFL272-S80/6/RS		2 x 80w T5 HO	6"	64-7/8"

TUBE GUARD |

TG

Tube Guard (sold by the foot) \_\_\_\_ft.

NOTE: Two tubes required per fixture



architectural LIGHTING

12.2015