



# BFL272

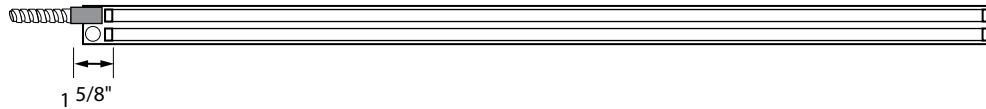
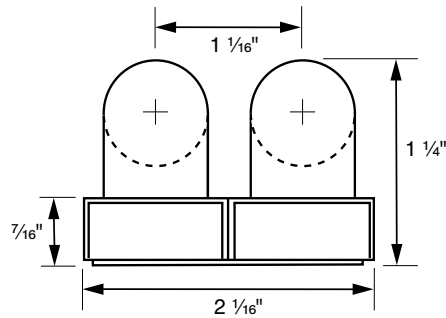
type:

## LINEAR T5 FLUORESCENT

remote ballast two lamp T5 fluorescent fixture

- SPECIFICATIONS |**
- Fully assembled housing is formed, 20 ga. steel, chemically treated to resist corrosion and enhance paint adhesion
  - Standard finish is high reflectance white powder coat, applied post production
  - Rotational locking lamp holders
  - Installed end feed connector accepts 3/8" steel flex conduit (available separately)
  - Wired with 12' leads
  - Easy mounting through provided holes in housing
  - Available for two T5 8W, 13W, 14W, 21W, 28W, 35W and high output 24W, 39W, 54W, 80W linear fluorescent lamps
  - UL and ULC listed for dry and damp locations
  - Requires a remote ballast and enclosure (ordered separately)
  - IBEW

**NOTE:** Lamp holders are wired for rapid start ballasts with the exception of 8W and 13W models which are wired for instant start ballasts.



SPECIFICATION / ORDER FORMAT		DIMENSIONAL INFO.	
model no.	options	lamp	overall length
BFL272-8	/DL - damp location	2 x 8w T5	13-3/8"
BFL272-13	/CU - custom finish (consult factory)	2 x 13w T5	22-7/16"
BFL272-14/RS		2 x 14w T5	23-11/16"
BFL272-21/RS		2 x 21w T5	35-1/2"
BFL272-28/RS		2 x 28w T5	47-1/4"
BFL272-35/RS		2 x 35w T5	59-1/8"
BFL272-24/RS		2 x 24w T5 HO	23-11/16"
BFL272-39/RS		2 x 39w T5 HO	35-1/2"
BFL272-54/RS		2 x 54w T5 HO	47-1/4"
BFL272-80/RS		2 x 80w T5 HO	59-1/8"

**TUBE GUARD |**

TG Tube Guard (sold by the foot) \_\_\_ft.

**NOTE: Two tubes required per fixture**

**REFLECTORS |** 20 ga. steel construction, white powder coat finish (consult factory for optional reflector materials and finishes)

**SYMMETRICAL**

272-R1-8  
272-R1-13  
272-R1-14/24  
272-R1-21/39  
272-R1-28/54  
272-R1-35/80

**for fixture models**

BFL272-8  
BFL272-13  
BFL272-14      BFL272-24  
BFL272-21      BFL272-39  
BFL272-28      BFL272-54  
BFL272-35      BFL272-80

**ASYMMETRICAL**

272-R2-8  
272-R2-13  
272-R2-14/24  
272-R2-21/39  
272-R2-28/54  
272-R2-35/80

BFL272-8  
BFL272-13  
BFL272-14      BFL272-24  
BFL272-21      BFL272-39  
BFL272-28      BFL272-54  
BFL272-35      BFL272-80

**INSIDE ASYMMETRICAL**

272-R3-8  
272-R3-13  
272-R3-14/24  
272-R3-21/39  
272-R3-28/54  
272-R3-35/80

BFL272-8  
BFL272-13  
BFL272-14      BFL272-24  
BFL272-21      BFL272-39  
BFL272-28      BFL272-54  
BFL272-35      BFL272-80

T5  
architectural LIGHTING