

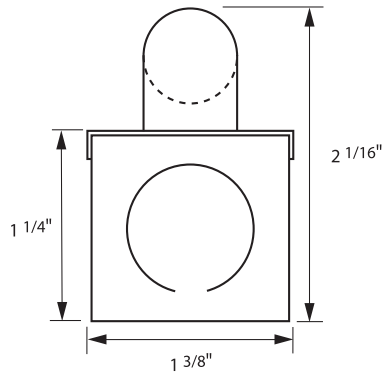


BFL281

type:

LINEAR T5 FLUORESCENT

low profile T5 fluorescent fixture

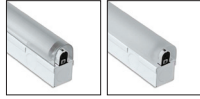


- SPECIFICATIONS |**
- Fully assembled housing is formed and welded, 20 ga. steel, chemically treated to resist corrosion and enhance paint adhesion
 - Standard finish is high reflectance white powder coat, applied post production
 - Knock-outs accept standard electrical fittings (by others)
 - Rotational locking lamp holders
 - Available for T5 6W, 8W, 13W, 14W, 21W, 28W, 35W and high output 24W, 39W, 54W, 80W linear fluorescent lamps
 - Standard 120V, 277V or Universal electronic high power factor ballast is pre-wired to the lamp holders
 - Dimming ballast options available (consult factory for availability and system compatibility)
 - UL and ULC listed for dry and damp locations
 - IBEW

NOTE: Includes program rapid start ballast except for 8W and 13W models which includes an instant start ballast.

SPECIFICATION / ORDER FORMAT				DIMENSIONAL INFO.	
model no.	voltage	wiring method	options	lamp	overall length
BFL281-6	/120		Dimming - (consult factory)	6w T5	9-3/16"
BFL281-8	/277		/DL - damp location	8w T5	12-13/16"
BFL281-13	/UNV	/RS	/CU - custom finish (consult factory)	13w T5	21-1/4"
BFL281-14				14w T5	22-1/2"
BFL281-21				21w T5	34-1/4"
BFL281-28				28w T5	46-1/16"
BFL281-35				35w T5	57-15/16"
BFL281-24				24w T5 HO	22-1/2"
BFL281-39				39w T5 HO	34-1/4"
BFL281-54				54w T5 HO	46-1/16"
BFL281-80				80w T5 HO	57-15/16"

LENSES | Two-piece system comprised of polycarbonate channel and striated snap-on cover



U5LNP	Clear fine prismatic acrylic lens with mounting clips (sold by the foot)	___ft.
U5LNCF	Frosted acrylic lens with mounting clips (sold by the foot)	___ft.

TUBE GUARD |

TG	Tube Guard (sold by the foot)	___ft.
----	-------------------------------	--------

WIRE GUARD |

WG	Wire Guard
----	------------

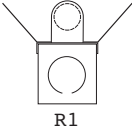
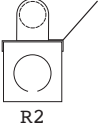
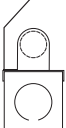

CABLE KIT |

BAC-4N-W	Aircraft suspension kit, 4', white
BAC-4P-W	Aircraft suspension kit w/ power feed, 4', white
	<small>*custom fixture layout required, consult factory</small>

MOUNTING CLIP | (consult factory for portable luminaire applications)

MC281	Fixture mounting clip
	NOTE: Two to three required per fixture

REFLECTORS | 20 ga. steel construction, white powder coat finish (consult factory for optional reflector materials and finishes)

	SYMMETRICAL	for fixture models	
 <p>R1</p>	281-R1-6	BFL281-6	
	281-R1-8	BFL281-8	
	281-R1-13	BFL281-13	
	281-R1-14/24	BFL281-14	BFL281-24
	281-R1-21/39	BFL281-21	BFL281-39
	281-R1-28/54	BFL281-28	BFL281-54
	281-R1-35/80	BFL281-35	BFL281-80
 <p>R2</p>	ASYMMETRICAL		
	281-R2-6	BFL281-6	
	281-R2-8	BFL281-8	
	281-R2-13	BFL281-13	
	281-R2-14/24	BFL281-14	BFL281-24
	281-R2-21/39	BFL281-21	BFL281-39
	281-R2-28/54	BFL281-28	BFL281-54
	281-R2-35/80	BFL281-35	BFL281-80
 <p>R3</p>	INSIDE ASYMMETRICAL		
	281-R3-6	BFL281-6	
	281-R3-8	BFL281-8	
	281-R3-13	BFL281-13	
	281-R3-14/24	BFL281-14	BFL281-24
	281-R3-21/39	BFL281-21	BFL281-39
	281-R3-28/54	BFL281-28	BFL281-54
	281-R3-35/80	BFL281-35	BFL281-80
 <p>RE</p>	ELLIPTICAL		
	281-RE-6	BFL281-6	
	281-RE-8	BFL281-8	
	281-RE-13	BFL281-13	
	281-RE-14/24	BFL281-14	BFL281-24
	281-RE-21/39	BFL281-21	BFL281-39
	281-RE-28/54	BFL281-28	BFL281-54
	281-RE-35/80	BFL281-35	BFL281-80