



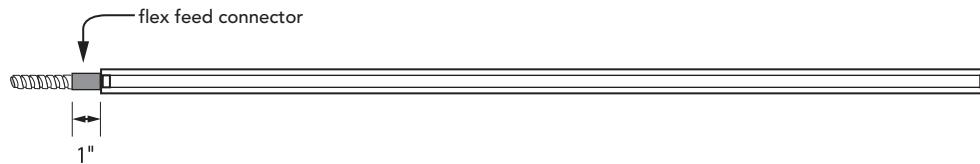
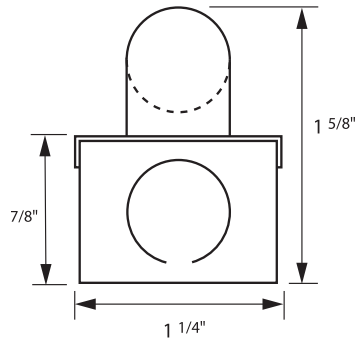
BFLSAM

type:

LINEAR T5 FLUORESCENT

ultra low profile T5 fluorescent fixture

- SPECIFICATIONS |**
- Fully assembled housing is formed and welded, 20 ga. steel, chemically treated to resist corrosion and enhance paint adhesion
 - Standard finish is high reflectance white powder coat, applied post production
 - Rotational locking lamp holders
 - Installed end feed connector accepts 3/8" steel flex conduit (available seperately)
 - Available for T5 8W, 13W, 14W, 21W, 28W or 35W linear fluorescent lamps
 - Standard 120V or 277V electronic high power factor ballast is pre-wired to the lamp holders
 - UL and ULC listed for dry and damp locations
 - Not recommended for through-wire installations
 - IBEW



SPECIFICATION / ORDER FORMAT			DIMENSIONAL INFO.	
model no.	voltage	options	lamp	overall length
BFLSAM-8	/120	/DL - damp location	8w T5	12-3/16"
BFLSAM-13	/277	/CU - custom finish (consult factory)	13w T5	21-1/4"
BFLSAM-14			14w T5	22-1/2"
BFLSAM-21			21w T5	34-1/4"
BFLSAM-28			28w T5	46-1/16"
BFLSAM-35			35w T5	57-15/16"
BFLSAM-2121				
BFLSAM-2828				

LENSES | Two-piece system comprised of polycarbonate channel and striated snap-on cover



U5LNP Clear fine prismatic acrylic lens with mounting clips (sold by the foot) ___ft.
 U5LNCF Frosted acrylic lens with mounting clips (sold by the foot) ___ft.

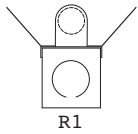
TUBE GUARD |

TG Tube Guard (sold by the foot) ___ft.

MOUNTING CLIP | (consult factory for portable luminaire applications)

MCSAM Fixture mounting clip
NOTE: Two to three required per fixture

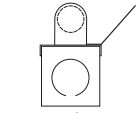
REFLECTORS | 20 ga. steel construction, white powder coat finish (consult factory for optional reflector materials and finishes)



R1

SYMMETRICAL
 SAM-R1-8
 SAM-R1-13
 SAM-R1-14
 SAM-R1-21
 SAM-R1-28
 SAM-R1-35

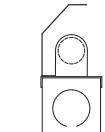
for fixture model
 BFLSAM-8
 BFLSAM-13
 BFLSAM-14
 BFLSAM-21
 BFLSAM-28
 BFLSAM-35



R2

ASYMMETRICAL
 SAM-R2-8
 SAM-R2-13
 SAM-R2-14
 SAM-R2-21
 SAM-R2-28
 SAM-R2-35

BFLSAM-8
 BFLSAM-13
 BFLSAM-14
 BFLSAM-21
 BFLSAM-28
 BFLSAM-35



R3

INSIDE ASYMMETRICAL
 SAM-R3-8
 SAM-R3-13
 SAM-R3-14
 SAM-R3-21
 SAM-R3-28
 SAM-R3-35

BFLSAM-8
 BFLSAM-13
 BFLSAM-14
 BFLSAM-21
 BFLSAM-28
 BFLSAM-35



RE

ELLIPTICAL
 SAM-RE-8
 SAM-RE-13
 SAM-RE-14
 SAM-RE-21
 SAM-RE-28
 SAM-RE-35

BFLSAM-8
 BFLSAM-13
 BFLSAM-14
 BFLSAM-21
 BFLSAM-28
 BFLSAM-35