



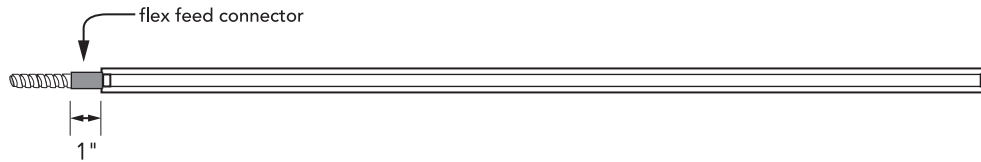
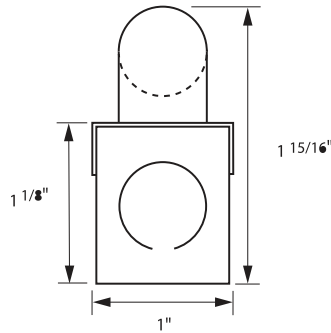
BFLSA

type: _____

LINEAR T5 FLUORESCENT

ultra low profile T5 fluorescent fixture

- SPECIFICATIONS |**
- Fully assembled housing is formed and welded, 20 ga. steel, chemically treated to resist corrosion and enhance paint adhesion
 - Standard finish is high reflectance white powder coat, applied post production
 - Rotational locking lamp holders
 - Installed end feed connector accepts 3/8" steel flex conduit (available seperately)
 - Available for T5 8W, 13W, 14W, 21W, 28W or 35W linear fluorescent lamps
 - Standard 120V or 277V electronic high power factor ballast is pre-wired to the lamp holders
 - UL and ULC listed for dry and damp locations
 - Not recommended for through-wire installations
 - IBEW



SPECIFICATION / ORDER FORMAT			DIMENSIONAL INFO.	
model no.	voltage	options	lamp	overall length
BFLSA-8	/120	/DL - damp location	8w T5	12-13/16"
BFLSA-13	/277	/CU - custom finish (consult factory)	13w T5	21-1/4"
BFLSA-14			14w T5	22-1/2"
BFLSA-21			21w T5	34-1/4"
BFLSA-28			28w T5	46-1/16"
BFLSA-35			35w T5	57-15/16"

LENSES | Two-piece system comprised of polycarbonate channel and striated snap-on cover



U5LNP Clear fine prismatic acrylic lens with mounting clips (sold by the foot) ___ft.
 U5LNCF Frosted acrylic lens with mounting clips (sold by the foot) ___ft.

TUBE GUARD |

TG Tube Guard (sold by the foot) ___ft.

MOUNTING CLIP | (consult factory for portable luminaire applications)

MCSA Fixture mounting clip
NOTE: Two to three required per fixture

REFLECTORS | 20 ga. steel construction, white powder coat finish (consult factory for optional reflector materials and finishes)

SYMMETRICAL **for fixture model**
 SA-R1-8 BFLSA-8
 SA-R1-13 BFLSA-13
 SA-R1-14 BFLSA-14
 SA-R1-21 BFLSA-21
 SA-R1-28 BFLSA-28
 SA-R1-35 BFLSA-35

ASYMMETRICAL
 SA-R2-8 BFLSA-8
 SA-R2-13 BFLSA-13
 SA-R2-14 BFLSA-14
 SA-R2-21 BFLSA-21
 SA-R2-28 BFLSA-28
 SA-R2-35 BFLSA-35

INSIDE ASYMMETRICAL
 SA-R3-8 BFLSA-8
 SA-R3-13 BFLSA-13
 SA-R3-14 BFLSA-14
 SA-R3-21 BFLSA-21
 SA-R3-28 BFLSA-28
 SA-R3-35 BFLSA-35

T5
architectural LIGHTING

01.2009