



## BFLSLM

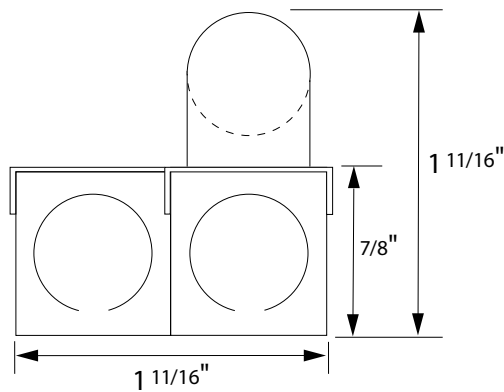
type:

### LINEAR T5 FLUORESCENT

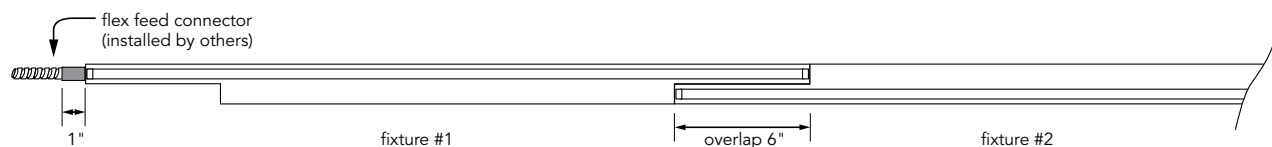
ultra low profile stagger T5 fluorescent fixture

- SPECIFICATIONS** |
- Fully assembled housing is formed and welded, 20 ga. steel, chemically treated to resist corrosion and enhance paint adhesion
  - Standard finish is high reflectance white powder coat, applied post production
  - Rotational locking lamp holders
  - Included end feed connector (installed by others) accepts 3/8" steel flex conduit (available separately)
  - Available for T5 14W, 21W, 28W, 35W and high output 24W, 39W or 54W linear fluorescent lamps
  - Available lamp overlaps of 6"
  - Standard 120V or 277V, 50-60Hz electronic high power factor ballast is pre-wired to the lamp holders
  - UL and ULC listed for dry and damp locations
  - IBEW manufactured and labeled
  - Made in the U.S.A.

#### PROFILE



#### PLAN



SPECIFICATION / ORDER FORMAT			DIMENSIONAL INFO.		
model no.	voltage	options	lamp	overlap	overall
BFLSLM-14/6	/UNV	/DL - damp location	14w T5	6"	22-1/2"
BFLSLM-21/6	120V-277V	/CU - custom finish (consult factory)	21w T5	6"	34-1/4"
BFLSLM-28/6	50-60Hz		28w T5	6"	46-1/16"
BFLSLM-35/6			35w T5	6"	57-15/16"
BFLSLM-24/6			24w T5 HO	6"	22-1/2"
BFLSLM-39/6			39w T5 HO	6"	34-1/4"
BFLSLM-54/6			54w T5 HO	6"	46-1/16"

**LENSES** | Two-piece system comprised of polycarbonate channel and striated snap-on cover



U5LNP  
U5LNCF

Clear fine prismatic acrylic lens with mounting clips \_\_\_in.  
Frosted acrylic lens with mounting clips \_\_\_in.

**TUBE GUARD** |

TG

Tube Guard \_\_\_in.