



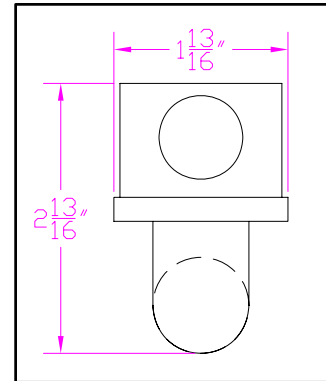
**IES INDOOR REPORT
PHOTOMETRIC FILENAME : LLI090714A.IES**

DESCRIPTION INFORMATION (From Photometric File)

IESNA:LM-63-2002
[TEST] LLI 0907-14A
[TESTLAB] LIGHT LABORATORY INC
[ISSUEDATE] 9/19/2007
[MANUFAC] BARTCO LIGHTING, INC.
[LUMCAT] MIT8-1T/32/UNV-STANDARD ALONE FIXTURE
[LUMINAIRE] 48"L. X 1-13/16"W. X 2-13/16"H. SURFACE MOUNTED FIXTURE
[MORE] STANDARD ALONE FIXTURE
[BALLASTCAT] UNIVERSAL TRIAD B232IUNV-C
[BALLAST] 120 TO 277V 50/60Hz ELECTRONIC
[LAMPPOSITION] 0,90
[LAMPCAT] PHILIPS F32T8/TL835/ALTO
[_LAMPLUM] 2950
[_INPUT] 120VAC, 33.51W

CHARACTERISTICS

Total Rated Lamp Lumens	2950
Total Luminaire Efficiency	96.6 %
CIE Type	Semi-Direct
Spacing Criteria (0-180)	1.38
Spacing Criteria (90-270)	1.64
Spacing Criteria (Diagonal)	1.70
Basic Luminous Shape	Rectangular w/Sides
Luminous Length (0-180)	4.00 ft
Luminous Width (90-270)	0.15 ft
Luminous Height	0.12 ft



LUMINANCE DATA (cd/sq.m)

Angle In Degrees	Average 0-Deg	Average 45-Deg	Average 90-Deg
45	7284	6181	5971
55	6952	6239	6140
65	6375	6365	6340
75	4920	6512	6620
85	26645	6403	7014

NOTE: ALL TESTS ASSUME BALLAST FACTOR (BF) = 1.0 UNLESS STATED.
IF TEST OR OTHER BALLAST USED HAS A BF OTHER THAN 1.0, ALL
LUMEN, CANDELA, AND LUMINANCE VALUES SHOULD BE MULTIPLIED BY
THE BF, CU, EFFICIENCY AND % FLUX VALUES REMAIN AS LISTED.
TOTAL WATTS VALUE APPLIES ONLY TO TESTED BALLAST.

IES INDOOR REPORT
PHOTOMETRIC FILENAME : LLI090714A.IES

CANDELA TABULATION

	<u>0</u>	<u>22.5</u>	<u>45</u>	<u>67.5</u>	<u>90</u>
0	395	395	395	395	395
5	436	431	404	383	377
15	429	428	408	393	388
25	397	405	404	409	411
35	352	371	399	419	426
45	296	332	387	415	424
55	232	293	367	407	421
65	160	242	339	390	406
75	79	179	300	361	381
85	174	131	240	323	346
90	66	121	228	310	333
95	66	133	229	308	330
105	5	128	234	301	320
115	0	81	186	271	296
125	0	27	137	200	225
135	0	5	83	130	148
145	0	0	27	67	81
155	0	0	0	12	20
165	0	0	0	0	0
175	0	0	0	0	0
180	0	0	0	0	0

IES INDOOR REPORT
PHOTOMETRIC FILENAME : LLI090714A.IES

ZONAL LUMEN SUMMARY

Zone	Lumens	%Lamp	%Fixt
0-30	239.75	8.1	8.4
0-40	458.79	15.6	16.1
0-60	1031.96	35	36.2
0-90	2041.78	69.2	71.6
90-120	540.96	18.3	19
90-130	678.79	23	23.8
90-150	796.91	27	23.8
90-180	808.66	27.4	28.4
0-180	2850.44	96.6	100

Total Luminaire Efficiency = 96.6%

ZONAL LUMEN SUMMARY

Zone	Lumens
0-10	9.58
10-20	77.55
20-30	152.62
30-40	219.05
40-50	270.34
50-60	302.83
60-70	313.89
70-80	298.98
80-90	396.95
90-100	118.18
100-110	228.32
110-120	194.45
120-130	137.83
130-140	80.6
140-150	37.53
150-160	10.71
160-170	1.03
170-180	0

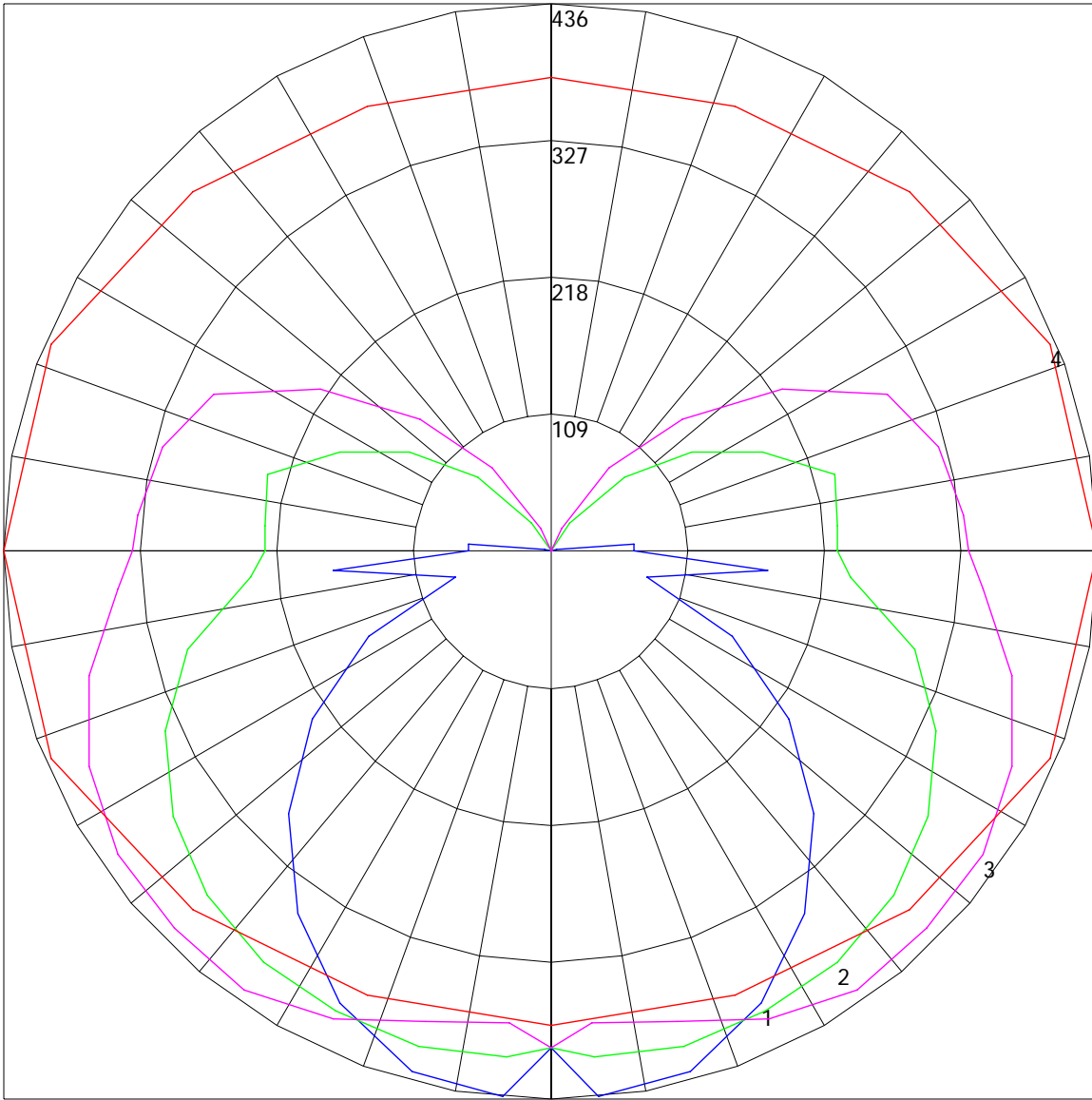
IES INDOOR REPORT
PHOTOMETRIC FILENAME : LLI090714A.IES

COEFFICIENTS OF UTILIZATION - ZONAL CAVITY METHOD

Effective Floor Cavity Reflectance 0.20

RC	80				70				50			30			10			0
RW	70	50	30	10	70	50	30	10	50	30	10	50	30	10	50	30	10	0
0	109	109	109	109	103	103	103	103	92	92	92	82	82	82	73	73	73	69
1	93	86	80	74	87	81	75	70	72	67	63	63	60	56	55	52	50	46
2	83	72	64	56	77	68	60	54	60	54	48	52	47	43	46	42	38	34
3	74	62	52	45	69	58	49	42	51	44	38	45	39	34	39	34	30	27
4	67	54	44	36	63	51	42	35	45	37	31	39	33	28	34	29	25	21
5	61	47	37	30	57	44	35	29	39	32	26	34	28	23	30	25	20	17
6	56	42	32	26	52	39	31	24	35	27	22	31	24	20	27	21	17	15
7	52	37	28	22	48	35	27	21	31	24	19	28	21	17	24	19	15	12
8	48	34	25	19	45	32	24	18	28	21	16	25	19	15	22	17	13	11
9	44	31	22	17	42	29	21	16	26	19	14	23	17	13	20	15	11	9
10	41	28	20	15	39	27	19	14	24	17	13	21	15	11	18	14	10	8

POLAR GRAPH



Maximum Candela = 436 Located At Horizontal Angle = 0, Vertical Angle = 5
1 - Vertical Plane Through Horizontal Angles (0 - 180) (Through Max. Cd.) : BLUE
2 - Vertical Plane Through Horizontal Angles (45 - 225) : GREEN
3 - Vertical Plane Through Horizontal Angles (90 - 270) : MAGENTA
4 - Horizontal Cone Through Vertical Angle (5) (Through Max. Cd.) : RED