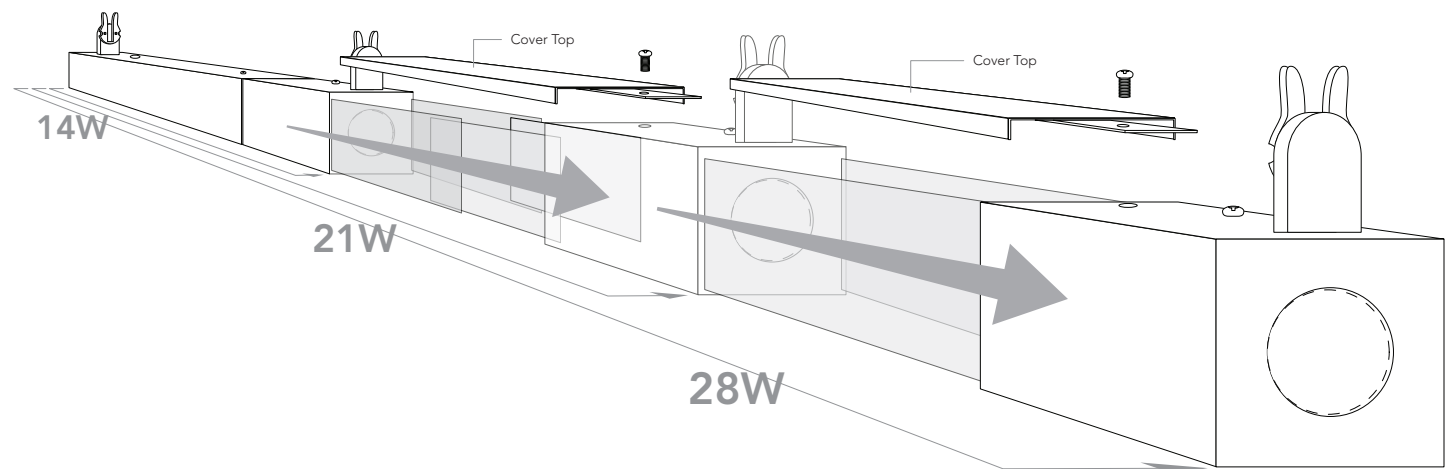


Type:



- Fully assembled housing is formed and welded, 20 ga. steel, chemically treated to resist corrosion and enhance paint adhesion
- Standard finish is high reflectance white powder coat, applied post production
- Adjustable for one T5 14W, 21W and 28W linear fluorescent lamp
- Standard ballast is specification grade 120V-277V program start (consult factory for other voltage options)
- Dimming option available (consult factory for availability and system compatibility)
- Knock-outs accept standard electrical fittings by others (consult factory for other locations)
- Surface mount
- Rotational locking lamp holders, patent no. 7,097,327 B-1
- UL and ULC listed for dry and damp locations
- IBEW manufactured and labeled
- Made in the U.S.A.



Fixture adjustable to 14W, 21W, 28W T5 lengths

*Consult factory for Dimming options. *Consult factory for custom finishes.

