

BFL100

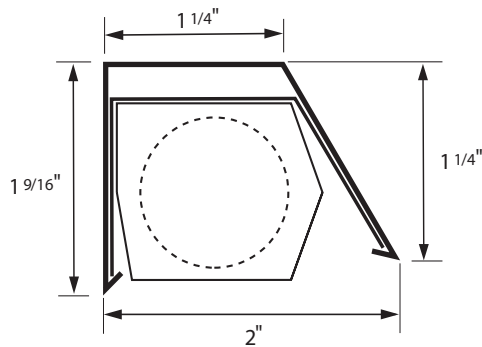
type:

LINEAR T8 FLUORESCENT

remote ballast T8 fluorescent fixture

- SPECIFICATIONS**
- Housing is formed, 20 ga. satin finish stainless steel, mirror finish chrome plated steel polished brass plated steel or gloss white and semi-gloss black powder coat over electro-galvanized steel (consult factory for custom finishes)
 - Steel linear/wireway finished in high reflectance white powder coat
 - All fixtures made to specified length $\pm 1/16"$
 - Installed end feed connector accepts $3/8"$ steel flex conduit (consult factory)
 - Optional $1/2"$ D x 36" aluminum down tube feed available in matching finishes
 - Wired with 12' leads for instant start ballast operation
 - Mounting accomplished with fasteners (by others) through housing or with optional end caps, FF3 stem mount kit or clips (for glass top to front display cases)
 - Available for T8 15W, 17W, 25W, 32W or 40W linear fluorescent lamp in single and tandem lamp models
 - UL and ULC listed for dry and damp locations
 - Requires a remote ballast and enclosure (ordered separately)
 - Integral electronic ballast option available (consult factory for availability)
 - IBEW manufactured and labeled
 - Made in the U.S.A.

NOTE: Lamp holders are wired for instant start ballasts. For rapid start wiring, add suffix "/RS" to catalog number.



SPECIFICATION / ORDER FORMAT				DIMENSIONAL INFO.	
model no.	finish	*feed location	options	lamp	*fixture length range
BFL100-15	/BSS - brushed stainless	/CL - customer left	/RS - rapid start	15w T8	19-5/8" - 25-9/16"
BFL100-17	/CH - polished chrome	/CR - customer right	(required for program start ballasts)	17w T8	25-5/8" - 37-9/16"
BFL100-25	/GW - gloss white	*customer point of view	/DL - damp location	25w T8	37-5/8" - 49-9/16"
BFL100-32	/SB - semi-gloss black			32w T8	49-5/8" - 61-9/16"
BFL100-40	/CU - custom finish			40w T8	61-5/8" - 73-5/8"
	(consult factory)				*specify to the nearest 1/16"

TUBE GUARD |

TG Tube Guard (sold by the foot) ___ft.

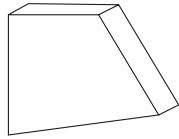
DOWNTUBE FEED | See display technical section for details

FF1 Downtube feed components
FF3 Stem mount feed components

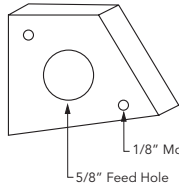
MOUNTING CLIP |

MC100 Fixture mounting clip (for glass to glass case mounting)
NOTE: Two to three required per fixture

END CAPS |



EC101 Pair solid end caps (for glass end cases)
(press fits inside BFL100 housing)



EC102 Pair end caps w/ drop mounting holes (for wood end case mounting)
(press fits inside BFL100 housing)