

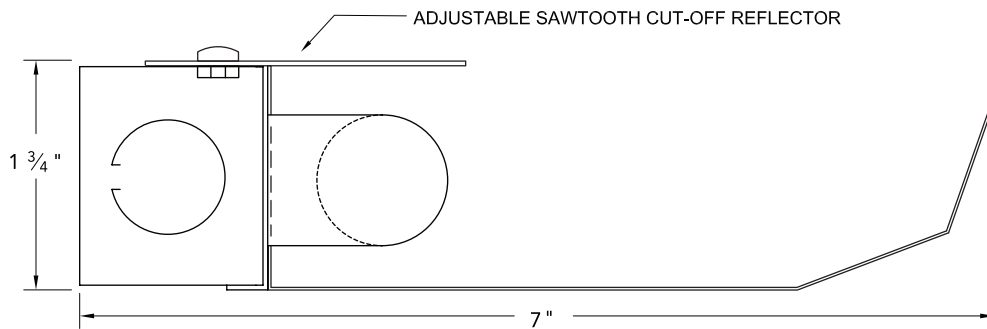
BFL208

type:

LINEAR T8 FLUORESCENT

low profile T8 fluorescent architectural cove fixture

- SPECIFICATIONS |**
- Fully assembled housing is formed and welded, 20 ga. steel, chemically treated to resist corrosion and enhance paint adhesion
 - Standard finish is high reflectance white powder coat, applied post production
 - Forward throw diffuse reflector
 - Adjustable sawtooth cut-off reflector
 - Knock-outs accept standard electrical fittings (by others)
 - Available for one T8 17W, 25W, 32W, 40W linear fluorescent lamp
 - Standard universal voltage (120V - 277V) electronic high power factor ballast is pre-wired to the lamp holders
 - Dimming and emergency battery back up options available **(consult factory for availability and system compatibility)**
 - UL and ULC listed for dry and damp locations
 - IBEW manufactured and labeled
 - Made in the U.S.A.



SPECIFICATION / ORDER FORMAT					DIMENSIONAL INFO.
model no.	wattage - lamp	voltage	wiring method	options	overall length
BFL208	17 - 17w T8	/UNV - 120V - 277V	/RS	Dimming - (consult factory)	24"
	25 - 25w T8			/EB - emergency ballast	36"
	32 - 32w T8			(consult factory)	48"
	40 - 40w T8			/DL - damp location	60"
				/CU - custom finish	
				(consult factory)	