



## BFL250-S

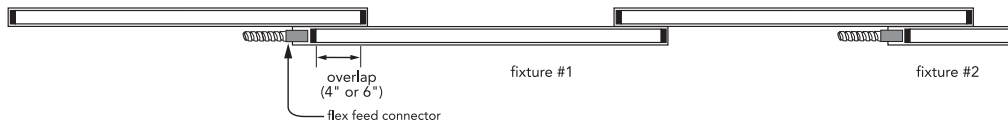
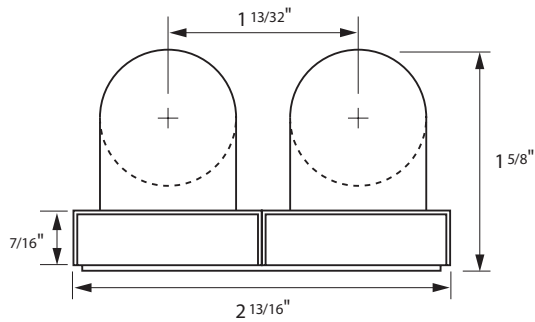
type:

### LINEAR T8 FLUORESCENT

remote ballast stagger T8 fluorescent fixture

- SPECIFICATIONS |**
- Fully assembled housing is formed, 20 ga. steel, chemically treated to resist corrosion and enhance paint adhesion
  - Standard finish is high reflectance white powder coat, applied post production
  - Installed end feed connector accepts 3/8" steel flex conduit (available separately)
  - Wired with 12' leads for instant start ballast operation
  - Easy mounting through provided holes in housing
  - Available for two T8 17W, 25W, 32W or 40W linear fluorescent lamps
  - Available lamp overlaps of 4" or 6"
  - UL and ULC listed for dry and damp locations
  - May be used in conjunction with the BFL250 single lamp fixture to terminate runs
  - Requires a remote ballast and enclosure (ordered separately)
  - IBEW manufactured and labeled
  - Made in the U.S.A.

**NOTE:** Lamp holders are wired for instant start ballasts. For rapid start wiring, add suffix "/RS" to catalog number.



SPECIFICATION / ORDER FORMAT		DIMENSIONAL INFO.		
model no.	options	lamp	overlap	overall length
BFL250-S17/4	/RS - rapid start wiring (for program start or dimming ballasts)	17w T8	4"	43-5/8"
BFL250-S25/4	/DL - damp location	25w T8	4"	67-5/8"
BFL250-S32/4	/CU - custom finish (consult factory)	32w T8	4"	91-5/8"
BFL250-S40/4		40w T8	4"	115-3/8"
BFL250-S17/6		17w T8	6"	41-5/8"
BFL250-S25/6		25w T8	6"	65-5/8"
BFL250-S32/6		32w T8	6"	89-5/8"
BFL250-S40/6		40w T8	6"	113-3/8"

TUBE GUARD |

TG

Tube Guard (sold by the foot) \_\_\_ft.

**NOTE: Two tubes required per fixture**



architectural LIGHTING

07.2011