



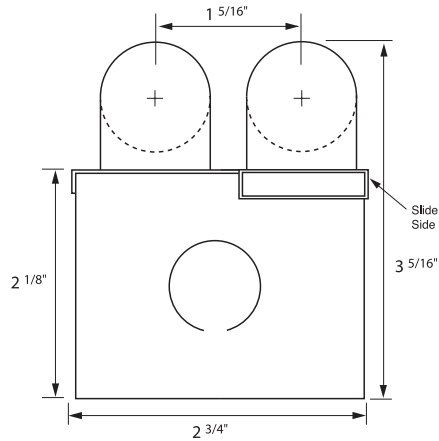
BFL257-S

type:

LINEAR T8 FLUORESCENT

Slide by Side adjustable stagger T8 fluorescent fixture

- SPECIFICATIONS |**
- Fixture housing optimized for popular, large can dimming ballasts
 - Fully assembled housing is formed and welded, 20 ga. steel, chemically treated to resist corrosion and enhance paint adhesion
 - Standard finish is high reflectance white powder coat, applied post production
 - A simple screw mechanism locks the sliding side of fixture in place at desired lamp overlap
 - Knock-outs accept standard electrical fittings (by others)
 - Available for two T8 17W, 25W or 32W linear fluorescent lamps
 - Standard Universal electronic high power factor ballast is pre-wired to the lamp holders
 - Dimming and emergency battery back up options available (**consult factory for availability and system compatibility**)
 - UL and ULC listed for dry and damp locations
 - IBEW manufactured and labeled
 - Made in the U.S.A.



SPECIFICATION / ORDER FORMAT			DIMENSIONAL INFO.	
model no.	voltage	options	lamp	min. - max. length
BFL257-S17	/UNV	Dimming - (consult factory)	2 x 17w T8	24" - 34-1/2"
BFL257-S25		/EB - emergency ballast (consult factory)	2 x 25w T8	36" - 52-3/8"
BFL257-S32		/DL - damp location	2 x 32w T8	48" - 70-1/8"
		/CU - custom finish (consult factory)		

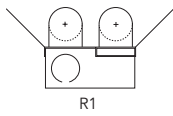
TUBE GUARD |

TG

Tube Guard (sold by the foot) ___ft.

NOTE: Two tubes required per fixture

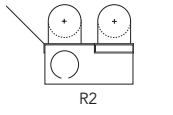
REFLECTORS | 20 ga. steel construction, white powder coat finish (consult factory for optional reflector materials and finishes)



R1

SYMMETRICAL
BFL257-S-R1-17
BFL257-S-R1-25
BFL257-S-R1-32

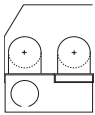
for fixture models
BFL257-S-17
BFL257-S-25
BFL257-S-32



R2

ASYMMETRICAL
BFL257-S-R2-17
BFL257-S-R2-25
BFL257-S-R2-32

BFL257-S-17
BFL257-S-25
BFL257-S-32
NOTE: attached to fixed side only



R3

INSIDE ASYMMETRICAL
BFL257-S-R3-17
BFL257-S-R3-25
BFL257-S-R3-32

BFL257-S-17
BFL257-S-25
BFL257-S-32
NOTE: attached to fixed side only