



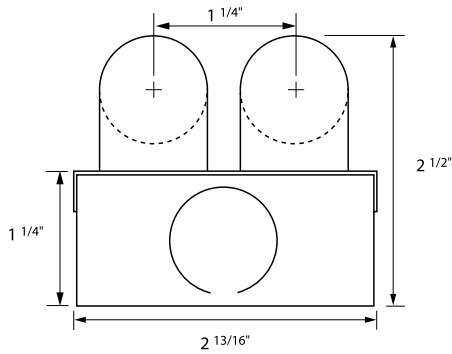
BFL257

type:

LINEAR T8 FLUORESCENT

low profile two lamp T8 fluorescent fixture

- SPECIFICATIONS |**
- Fully assembled housing is formed and welded, 20 ga. steel, chemically treated to resist corrosion and enhance paint adhesion
 - Standard finish is high reflectance white powder coat, applied post production
 - Knock-outs accept standard electrical fittings (by others)
 - Available for T8 13W, 14W, 15W, 17W, 25W, 32W or 40W linear fluorescent lamps
 - Standard 120V, 277V or Universal electronic high power factor ballast is pre-wired to the lamp holders
 - Dimming and emergency battery back up options available **(consult factory for availability and system compatibility)**
 - UL and ULC listed for dry and damp locations
 - IBEW manufactured and labeled
 - Made in the U.S.A.



SPECIFICATION / ORDER FORMAT			DIMENSIONAL INFO.	
model no.	voltage	options	lamp	overall length
BFL257-13	/120	Dimming - (consult factory)	2 x 13w T8	12"
BFL257-14	/277	/EB - emergency ballast (consult factory)	2 x 14w T8	15"
BFL257-15		/DL - damp location	2 x 15w T8	18"
		/CU - custom finish (consult factory)		
BFL257-17	/UNV		2 x 17w T8	24"
BFL257-25			2 x 25w T8	36"
BFL257-32			2 x 32w T8	48"
BFL257-40			2 x 40w T8	60"

T8
architectural LIGHTING

TUBE GUARD |

TG Tube Guard (sold by the foot) ___ft.
NOTE: Two tubes required per fixture

CABLE KIT |

BAC-4N-W Aircraft suspension kit, 4', white
 BAC-4P-W Aircraft suspension kit w/ power feed, 4', white
*custom fixture layout required, consult factory

REFLECTORS | 20 ga. steel construction, white powder coat finish (consult factory for optional reflector materials and finishes)

SYMMETRICAL	for fixture models
257-R1-13	BFL257-13
257-R1-14	BFL257-14
257-R1-15	BFL257-15
257-R1-17	BFL257-17
257-R1-25	BFL257-25
257-R1-32	BFL257-32
257-R1-40	BFL257-40
ASYMMETRICAL	
257-R2-13	BFL257-13
257-R2-14	BFL257-14
257-R2-15	BFL257-15
257-R2-17	BFL257-17
257-R2-25	BFL257-25
257-R2-32	BFL257-32
257-R2-40	BFL257-40
INSIDE ASYMMETRICAL	
257-R3-13	BFL257-13
257-R3-14	BFL257-14
257-R3-15	BFL257-15
257-R3-17	BFL257-17
257-R3-25	BFL257-25
257-R3-32	BFL257-32
257-R3-40	BFL257-40