

patent no. US 6,431,726 B1



BFLFS-T5

type:

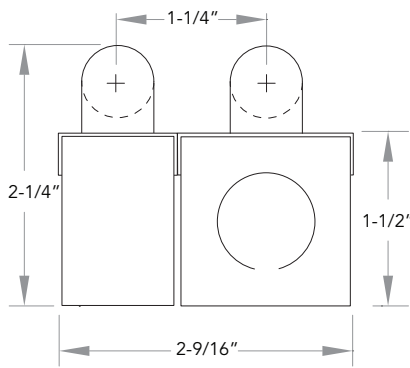
LINEAR T5 FLUORESCENT

Flip and Slide adjustable stagger T5 fluorescent fixture

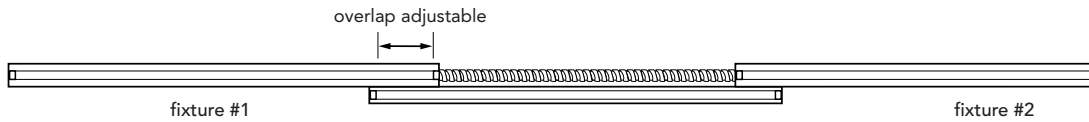
- SPECIFICATIONS |**
- Fully assembled housing is formed and welded, 20 ga. steel, chemically treated to resist corrosion and enhance paint adhesion
 - Standard finish is high reflectance white powder coat, applied post production
 - Knock-outs accept standard electrical fittings (by others)
 - Rotational locking lamp holders
 - Available for two T5 14W, 21W, 28W and high output 24W, 39W, 54W linear fluorescent lamps
 - Adjustable lamp overlap
 - Standard Universal voltage electronic high power factor ballast is pre-wired to the lamp holders
 - Dimming and emergency battery backup options available (**consult factory for availability and system compatibility**)
 - UL and ULC listed for dry and damp locations
 - IBEW manufactured and labeled
 - Made in the U.S.A.

NOTE: Includes program rapid start ballast.

PROFILE



PLAN



| SPECIFICATION / ORDER FORMAT | | | | DIMENSIONAL INFO. | |
|------------------------------|---------|---------------|---|-------------------|--------------------|
| model no. | voltage | wiring method | options | lamp | min. - max. length |
| BFLFS-T514 | /UNV | /RS | Dimming - (consult factory) | 2 x 14w T5 | *32-3/8" - 41-7/8" |
| BFLFS-T521 | | | /EB - emergency ballast (consult factory) | 2 x 21w T5 | 52-1/2" - 64-1/2" |
| BFLFS-T528 | | | /CU - custom finish (consult factory) | 2 x 28w T5 | 76" - 88" |
| BFLFS-T524 | | | /UNVTEN | 2 x 24w T5 HO | *32-3/8" - 41-7/8" |
| BFLFS-T539 | | | | 2 x 39w T5 HO | 52-1/2" - 64-1/2" |
| BFLFS-T554 | | | | 2 x 54w T5 HO | 76" - 88" |

*NOTE: Some ballasts affect adjustability of this fixture length. (consult factory for overlap capability)

**NOTE: 35 watt requires two single lamp ballasts

TUBE GUARD |

TG

Tube Guard (sold by the foot) ____ft.

NOTE: Two tubes required per fixture

