

patent no. US 6,431,726



BFLFS-T8

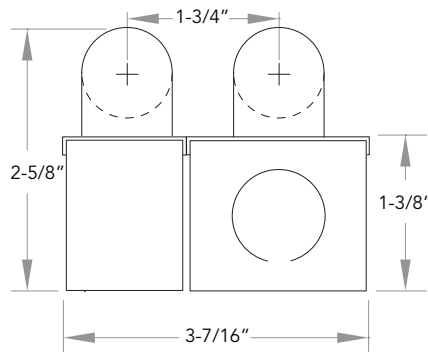
type:

LINEAR T8 FLUORESCENT

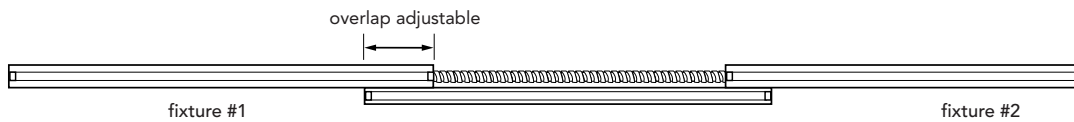
Flip and Slide adjustable stagger T8 fluorescent fixture

- SPECIFICATIONS |**
- Fully assembled housing is formed and welded, 20 ga. steel, chemically treated to resist corrosion and enhance paint adhesion
 - Standard finish is high reflectance white powder coat, applied post production
 - Knock-outs accept standard electrical fittings (by others)
 - Rotational locking lamp holders
 - Available for two T8 17W, 25W or 32W linear fluorescent lamps
 - Adjustable lamp overlap
 - Standard Universal voltage electronic high power factor ballast is pre-wired to the lamp holders
 - Dimming and emergency battery back up options available (consult factory for availability and system compatibility)
 - UL and ULC listed for dry and damp locations
 - IBEW manufactured and labeled
 - Made in the U.S.A.

PROFILE



PLAN



SPECIFICATION / ORDER FORMAT			DIMENSIONAL INFO.	
model no.	voltage	option	lamp	min. - max. length
BFLFS-T817*	/UNV	Dimming - (consult factory)	2 x 17w T8	*35-13/16" - 43-5/8"
BFLFS-T825		/EB - emergency ballast (consult factory)	2 x 25w T8	55-7/8" - 67-3/4"
BFLFS-T832		/DL - damp location	2 x 32w T8	80-3/4" - 92-3/4"
		/CU - custom finish (consult factory)		

*NOTE: Some ballasts affect adjustability of this fixture length. (consult factory for overlap capability)

TUBE GUARD |

TG

Tube Guard (sold by the foot) ____ft.

NOTE: Two tubes required per fixture

