

BW5

type:

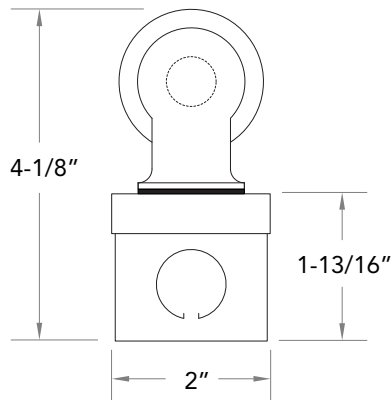
LINEAR T5 FLUORESCENT

wet listed T5 fluorescent fixture

- SPECIFICATIONS |**
- Fully assembled housing is formed and welded, 20 ga. steel, chemically treated to resist corrosion and enhance paint adhesion
 - Standard finish is high reflectance white powder coat, applied post production
 - Knock-outs accept standard electrical fittings (by others)
 - Gasketed lamp holders
 - Available for one T5 14W, 21W, 28W, 35W and high output 24W, 39W, 54W and 80W linear fluorescent lamps
 - Standard universal voltage (120V-277V) electronic high power factor ballast is pre-wired to the lamp holders
 - Dimming and emergency battery back up options available (**consult factory for availability and system compatibility**)
 - I.P. 65 rated
 - IBEW manufactured and labeled
 - Made in the U.S.A.

NOTE: Includes program rapid start ballast.

PROFILE



SPECIFICATION / ORDER FORMAT						DIMENSIONAL INFO.
model no.	lamp position	wattage - lamp	voltage	wiring method	options	overall length
BW5	-1T	14 - 14w T5	/UNV - 120V-277V	/RS	Dimming - (consult factory)	23-13/16"
		21 - 21w T5			/EB - emergency ballast	35-5/8"
		28 - 28w T5	(consult factory)		47-3/8"	
		35 - 35w T5	/CU - custom finish		59-1/4"	
		24 - 24w T5 HO	(consult factory)		23-13/16"	
		39 - 39w T5 HO			35-5/8"	
		54 - 54w T5 HO			47-3/8"	
		80 - 80w T5 HO			59-1/4"	