

BW8-S

type:

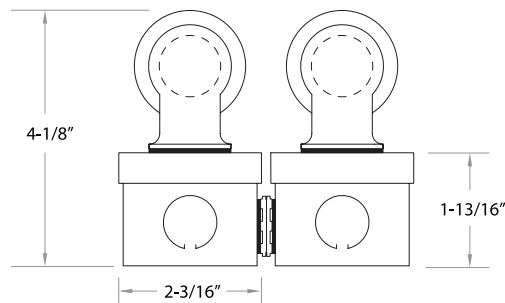
LINEAR T8 FLUORESCENT

wet listed single width stagger with 6" overlap low profile linear T8 fluorescent architectural fixture with integral ballast

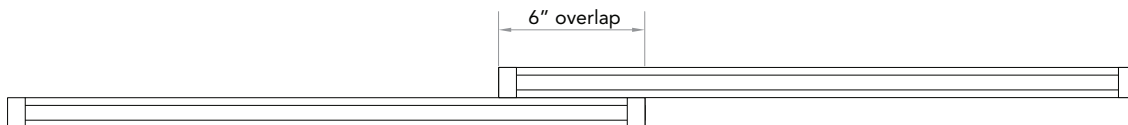
- SPECIFICATIONS** |
- Fully assembled housing is aluminum, chemically treated to resist corrosion and enhance paint adhesion
 - Standard finish is high reflectance white powder coat, applied post production
 - Knock-outs accept standard electrical fittings (by others)
 - Gasketed lamp holders
 - Available for two T8 17W, 25W, 32W, 40W linear fluorescent lamps
 - Standard universal voltage (120V-277V) electronic high power factor ballast is pre-wired to the lamp holders
 - Dimming and emergency battery back up options available (**consult factory for availability and system compatibility**)
 - I.P. 65 rated
 - UL Listed
 - IBEW manufactured and labeled
 - Made in the U.S.A.

NOTE: Includes program rapid start ballast.

PROFILE



PLAN



SPECIFICATION / ORDER FORMAT						DIMENSIONAL INFO.	
model no.	lamp position	wattage - lamp	voltage	wiring method	options	overlap	overall length
BW8-S	-1T	2x17 - 17w T8	/UNV - 120V-277V	/RS	Dimming - (consult factory)	6"	44-5/8"
		2x25 - 25w T8			/EB - emergency ballast		68-5/8"
		2x32 - 32w T8	(consult factory)	6"	92-5/8"		
		2x40 - 40w T8	/CU - custom finish (consult factory)	6"	116-5/8"		