

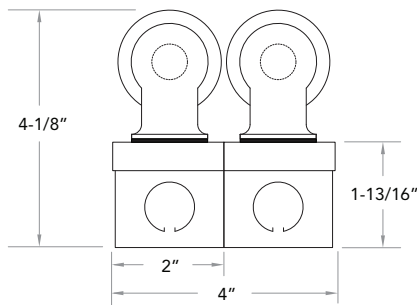
BW5-S

type:

LINEAR T5 FLUORESCENT

wet listed single width stagger with 6" overlap low profile linear T5 fluorescent architectural fixture with integral ballast

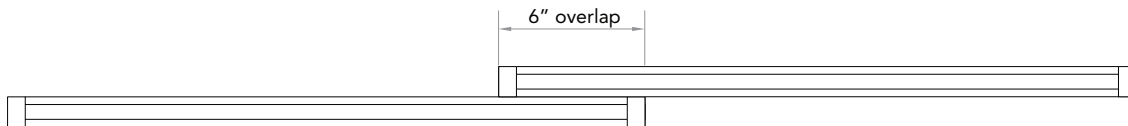
PROFILE



- SPECIFICATIONS**
- Fully assembled housing is aluminum, chemically treated to resist corrosion and enhance paint adhesion
 - Standard finish is high reflectance white powder coat, applied post production
 - Knock-outs accept standard electrical fittings (by others)
 - Gasketed lamp holders
 - Available for two T5 14W, 21W, 28W, 35W linear fluorescent lamps
 - Standard universal voltage (120V-277V) electronic high power factor ballast is pre-wired to the lamp holders
 - Dimming and emergency battery back up options available (**consult factory for availability and system compatibility**)
 - I.P. 65 rated
 - IBEW manufactured and labeled
 - Made in the U.S.A.

NOTE: Includes program rapid start ballast.

PLAN



SPECIFICATION / ORDER FORMAT						DIMENSIONAL INFO.	
model no.	lamp position	wattage - lamp	voltage	wiring method	options	overlap	overall length
BW5-S	-1T	2x14 - 14w T5	/UNV - 120V-277V	/RS	Dimming - (consult factory)	6"	40-5/8"
		2x21 - 21w T5			/EB - emergency ballast	6"	65-1/4"
		2x28 - 28w T5			(consult factory)	6"	88-3/4"
		2x35 - 35w T5			/CU - custom finish	6"	112-1/2"
					(consult factory)	6"	40-5/8"
						6"	65-1/4"
						6"	88-3/4"
						6"	112-1/2"