



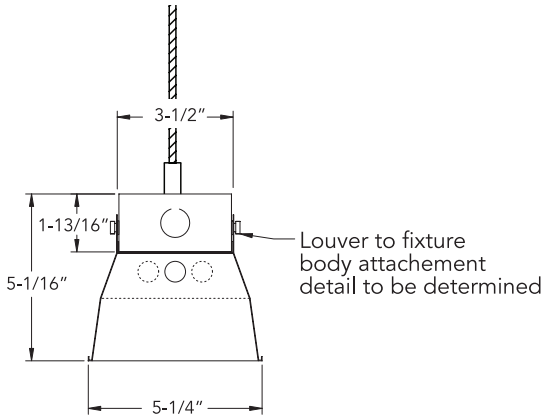
BC146-BAC

type:

LINEAR T5 FLUORESCENT

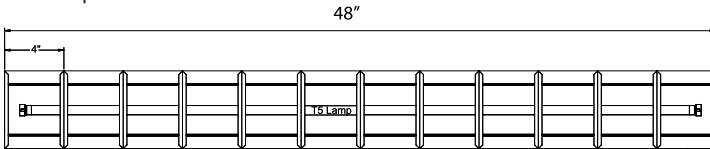
linear T5 cable suspended fluorescent fixture with louver

- SPECIFICATIONS |**
- Fully assembled housing is formed and welded, 20 ga. steel, chemically treated to resist corrosion and enhance paint adhesion
 - Includes removable semi-specular aluminum louver hood assembly
 - Powdercoat finish applied post production
 - Knock-outs accept standard electrical fittings (by others)
 - Rotational locking lamp holders
 - Available for two or four T5 high output 54W linear fluorescent lamps
 - Standard universal voltage electronic high power factor ballast is pre-wired to the lamp holders
 - Includes Aircraft cable assemblies (custom cable lengths available)
 - UL and C-UL listed for dry locations
 - IBEW



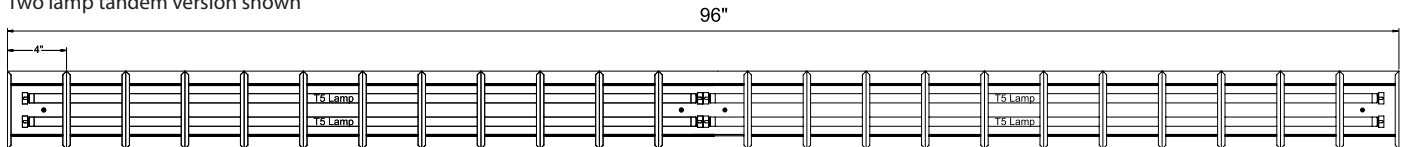
REFLECTED PLAN

One lamp version shown



REFLECTED PLAN

Two lamp tandem version shown



SPECIFICATION / ORDER FORMAT					DIMENSIONAL INFO.
model no.	lamp section	lamp	voltage	finish	overall length
BC146	-1T - one lamp	54 - 54w HO	/UNV	/WH - white	54w T5 HO - 48"
	-2T - two lamp	5454 - 2 x 54w HO tandem		/SL - silver	2 x 54w T5 HO - 96"