

# BFL290 | GENERAL INFORMATION

1-3/8" O.D. T5 display fixture for remote ballast operation

Project: \_\_\_\_\_ Type: \_\_\_\_\_



## SPECIFICATIONS

Fixture constructed of an extruded aluminum housing and steel lamp liner

Standard finishes include satin anodize, polished anodize, or Fluoroscope White (semi-matte), white (semi-gloss), black (semi-matte), matte black, silver, platinum\*, bronze and primer powder coat, applied post production (consult factory for custom finishes)

Fixture housings cut to specified length from 13-1/2" to 69-15/16" ± 1/16"

Available for T5 8W, 13W, 14W, 21W, 28W, 35W and high output 24W, 39W, 54W, 80W lamps

Standard end feed connector, accepts 3/8" steel flex conduit (by others)

Wired with 12' 18 ga. leads for rapid start ballast operation

Requires a remote ballast and enclosure (ordered separately, refer to supplemental driver details sheet for availability)

Mounting in display cases installations accomplished with accessory end caps or mounting clips

Frosted or linear prismatic lens accessories available

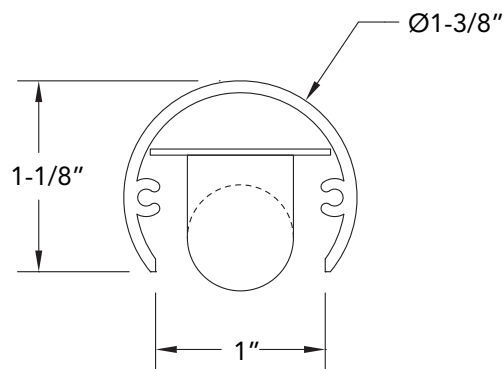
Limited one year warranty

UL and C-UL listed for dry and damp locations

IBEW manufactured and assembled

Made in U.S.A.

## SECTION



## BFL290 +

LAMP	+	FIXTURE EXTRUSION LENGTH RANGE**	+	WIRING METHOD	+	FINISH
8: 8W T5		13-1/2" – 22-1/2"		RS: rapid start		SA: satin anodize
13: 13W T5		22-9/16" – 23-13/16"				PA: polished anodize
14: 14W T5		23-7/8" – 35-9/16"				FW: Fluoroscope white (semi-matte)
21: 21W T5		35-5/8" – 47-5/16"				WH: white (semi-gloss)
28: 28W T5		47-3/8" – 59-1/4"				BL: black (semi-matte)
35: 35W T5		59-5/16" – 69-15/16"				MB: matte black
24: 24W T5 HO		23-7/8" – 35-9/16"				SL: silver
39: 39W T5 HO		35-5/8" – 47-5/16"				PT: platinum*
54: 54W T5 HO		47-3/8" – 59-1/4"				BZ: bronze
80: 80W T5 HO		59-5/16" – 69-15/16"				PR: primer
						CF: consult factory for custom finish

Notes: Remote ballast ordered separately, refer to supplemental ballast details sheet for availability

\* A standard finish requiring a two step coating process - premium will apply



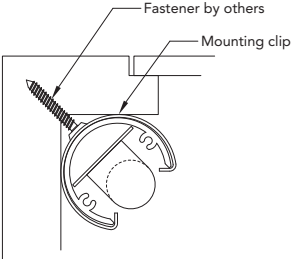
\*\* NOTE: Specify extrusion length within the range for a given lamp to the nearest 1/16". Length shown does not include end caps. Manufactured length tolerance is ± 1/16".

## ACCESSORIES



NOTE: Accessories ordered separately

Finish code: SA: satin anodize, PA: polished anodize, FW: Fluoroscape white (semi-matte), WH: white (semi-gloss), BL: black (semi-matte), MB: matte black, SL: silver, PT: platinum\*, BZ: bronze, PR: primer, CF: consult factory for custom finish

## MOUNTING

	ORDERING CODE	DESCRIPTION	SPECIFICATIONS
	EC911-FINISH	Solid end cap	Sheet aluminum in matching finish Add 1/8" to the fixture length for each end cap
	EC911-CTR-FINISH	End cap with feed hole	Sheet aluminum in matching finish with 5/8" feed hole for passing conduit (by others) Add 1/8" to the fixture length for each end cap
	MC90	Mounting clip	Spring steel mounting clip in zinc finish Two clips required per fixture Clip mounting screw by others

## LENSES

	ORDERING CODE	FOR LAMP	DESCRIPTION
	LNS90F-CUT	14W, 21W, 28W, 35W, 24W HO, 39W HO, 54W HO, 80W HO	Frosted acrylic snap-in lens Length calculated by factory for minimal clearance within fixture housing
	LNS90P-CUT	14W, 21W, 28W, 35W, 24W HO, 39W HO, 54W HO, 80W HO	Linear prismatic acrylic snap-in lens Length calculated by factory for minimal clearance within fixture housing