

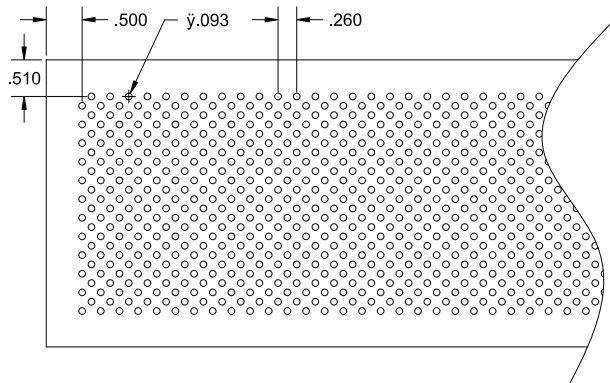
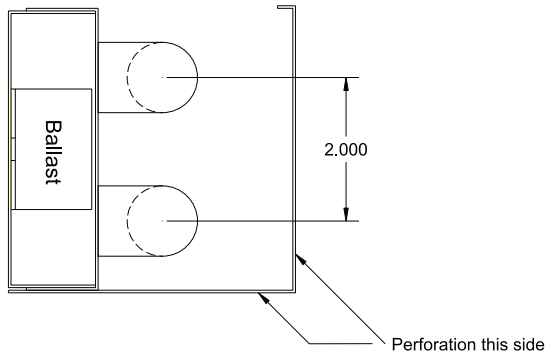
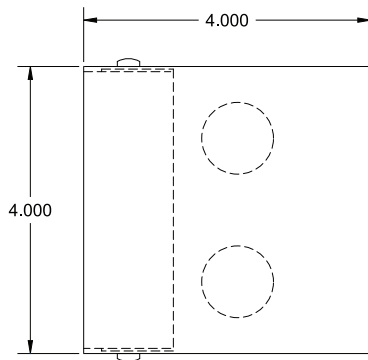
BC037

type:

LINEAR T8 FLUORESCENT

linear T8 fluorescent architectural fixture with integral ballast

- SPECIFICATIONS |**
- Fully assembled housing is formed and welded, 20 ga. steel, chemically treated to resist corrosion and enhance paint adhesion
 - Fixture housing is finished in high reflectance white powdercoat, applied post production
 - Custom perforated baffle with wraparound end is formed of 20 ga. steel, chemically treated to resist corrosion and enhance paint adhesion
 - Perforated baffle is powdercoat finished, applied post production
 - Includes lay in lens
 - Knock-outs accept standard electrical fittings (by others)
 - Rotational locking lamp holders
 - Available for two T8 17W, 25W, 32W or 40W linear fluorescent lamps
 - Standard electronic high power factor ballast is pre-wired to the lamp holders
 - Standard finishes are gloss white, matte black or silver, custom finishes available
 - UL and ULC listed for dry and damp locations
 - IBEW manufactured and labeled
 - Made in the U.S.A.



SPECIFICATION / ORDER FORMAT			DIMENSIONAL INFO.	
model no.	voltage	options	lamp	overall length
BC037-17	/120	/DL - damp location	2 x 17w T8	24-1/4"
BC037-25	/277	/CU - custom finish (consult factory)	2 x 25w T8	36-1/4"
BC037-32		/LNP - lay in prismatic lens	2 x 32w T8	48-1/4"
BC037-40		/LNCF - lay in clear frosted lens	2 x 40w T8	60-1/4"
BC037-3232		/UNVTEN	4 x 32w T8	96-1/4"

T8
architectural LIGHTING