

BFL117

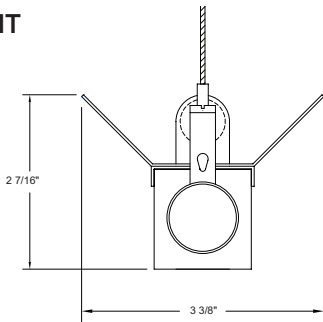
type:

LINEAR T5 FLUORESCENT

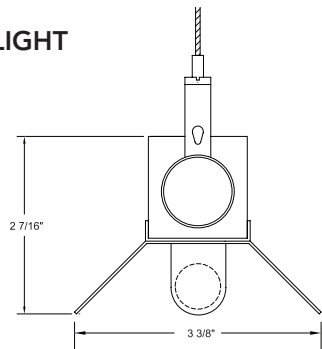
low profile linear T5 cable suspended fluorescent architectural fixture with integral ballast and symmetrical reflector

- SPECIFICATIONS |**
- Fully assembled housing is formed and welded, 20 ga. steel, chemically treated to resist corrosion and enhance paint adhesion
 - Available in white, black, silver, platinum or bronze powdercoat finish
 - Clean body
 - Rotational locking lamp holders
 - Available for one T5 14W, 21W, 28W, 35W or high output 24W, 39W, 54W, 80W linear fluorescent lamps
 - Standard 120V - 277V electronic high power factor ballast is pre-wired to the lamp holders (consult factory for other voltage options)
 - Dimming and emergency battery back up options available (consult factory for availability and system compatibility)
 - UL and C-UL listed for dry and damp locations
 - IBEW manufactured and labeled
 - Made in the U.S.A.

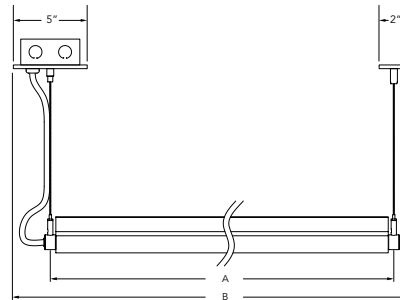
UPLIGHT



DOWNLIGHT



PLAN



| SPECIFICATION / ORDER FORMAT | | | | | DIMENSIONAL INFO. | |
|------------------------------|------------------|----------------|--------------------------------|-----------------------------|-------------------|-----------|
| model no. | lamp | lamp position | finish | options | A | B |
| BFL117 | 14 - 14w T5 | UP - uplight | WH - white | Dimming - (consult factory) | 24" | 27-1/2" |
| | 21 - 21w T5 | DN - downlight | BL - black | Emergency Ballast | 35-13/16" | 39-5/16" |
| | 28 - 28w T5 | | SL - silver | (consult factory) | 47-9/16" | 51-1/16" |
| | 35 - 35w T5 | | PT - platinum | | 59-7/16" | 62-15/16" |
| | 2121 - 21w T5 | | BZ - bronze | | 70-1/8" | 73-5/8" |
| | 2828 - 28w T5 | | CU - custom finish | | 93-5/8" | 97-1/8" |
| | 24 - 24w T5 HO | | all finishes powdercoat | | 24" | 27-1/2" |
| | 39 - 39w T5 HO | | | | 35-13/16" | 39-5/16" |
| | 54 - 54w T5 HO | | | | 47-9/16" | 51-1/16" |
| | 80 - 80w T5 HO | | | | 59-7/16" | 62-15/16" |
| | 3939 - 39w T5 HO | | | | 70-1/8" | 73-5/8" |
| | 5454 - 54w T5 HO | | | | 93-5/8" | 97-1/8" |