



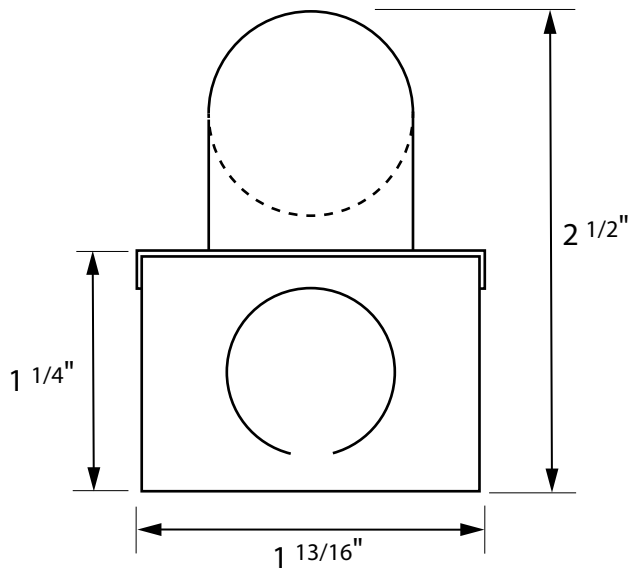
BFL255

type:

LINEAR T8 FLUORESCENT

low profile linear T8 fluorescent architectural fixture with integral ballast

PROFILE



- SPECIFICATIONS |**
- Fully assembled housing is formed and welded, 20 ga. steel, chemically treated to resist corrosion and enhance paint adhesion
 - Standard finish is high reflectance white powder coat, applied post production
 - Knock-outs accept standard electrical fittings (by others)
 - Rotational locking lamp holders
 - Standard 120V or 277V electronic high power factor ballast is pre-wired to the lamp holders (consult factory for other voltage options)
 - Dimming ballast and emergency battery back up options available (consult factory for availability and system compatibility)
 - UL and C-UL listed for dry and damp locations
 - IBEW manufactured and labeled
 - Made in the U.S.A.

SPECIFICATION / ORDER FORMAT				DIMENSIONAL INFO.
model no.	lamp	voltage	options	overall length
BFL255	/15 - 15w	/120	Dimming –	15w T8 - 18"
	/17 - 17w	/277	(consult factory or power supply section for catalog number)	17w T8 - 24"
	/25 - 25w	(consult factory for other voltages)	Emergency Ballast – (consult factory or power supply section for catalog number)	25w T8 - 36"
	/32 - 32w		/DL - damp location	32w T8 - 48"
	/40 - 40w		/CU - custom finish	40w T8 - 60"
			(consult factory)	

LENSES | Two-piece system comprised of polycarbonate channel and striated snap-on cover



U8LNP Clear fine prismatic acrylic lens with mounting clips (sold by the foot) ___ft.
 U8LNCF Frosted acrylic lens with mounting clips (sold by the foot) ___ft.

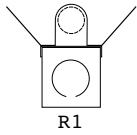
TUBE GUARD |

TG Tube Guard (sold by the foot) ___ft.

CABLE KIT |

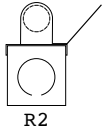
SEE BARTCO **CB8** FIXTURE

REFLECTORS | 20 ga. steel construction, white powder coat finish (consult factory for optional reflector materials and finishes)



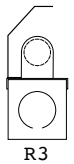
R1

SYMMETRICAL
 BFL255-R1-17 for fixture model BFL255-17
 BFL255-R1-25 BFL255-25
 BFL255-R1-32 BFL255-32
 BFL255-R1-40 BFL255-40



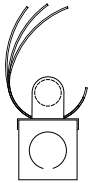
R2

ASYMMETRICAL
 BFL255-R2-17 BFL255-17
 BFL255-R2-25 BFL255-25
 BFL255-R2-32 BFL255-32
 BFL255-R2-40 BFL255-40



R3

INSIDE ASYMMETRICAL
 BFL255-R3-17 BFL255-17
 BFL255-R3-25 BFL255-25
 BFL255-R3-32 BFL255-32
 BFL255-R3-40 BFL255-40



RE

ELLIPTICAL
 BFL255-RE-17 BFL255-17
 BFL255-RE-25 BFL255-25
 BFL255-RE-32 BFL255-32
 BFL255-RE-40 BFL255-40