

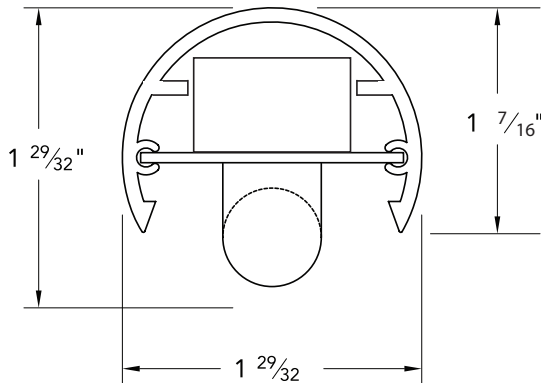


## BFL292i

type:

### LINEAR T5 FLUORESCENT

low profile linear T5 fluorescent 1-29/32" diameter display fixture for integral ballast installations



- SPECIFICATIONS |**
- Extruded aluminum housing available in anodized polished chrome, satin, or brushed satin and white or black powder coat, applied post production
  - Steel liner/wireway finished in high reflectance white powder coat
  - All fixtures made to specified length  $\pm 1/16"$
  - Rotational locking lamp holders
  - Installed end feed connector accepts 3/8" steel flex conduit (available separately)
  - Optional 1/2" D x 36" aluminum down tube feed available in matching finishes
  - Wired with 12' leads for instant start ballast operation
  - Mounting accomplished with fasteners (by others) through aluminum housing or with optional end caps, FF3 stem mount kit or clips (for glass top to front display cases)
  - Available for T5 6W, 8W, 14W, 21W, 28W, 35W and high output 24W, 39W, 54W linear fluorescent lamps in single and tandem lamp models
  - Standard electronic high power factor ballast is pre-wired to the lamp holders
  - UL and ULC listed for dry and damp locations
  - IBEW manufactured and labeled
  - Made in the U.S.A.

SPECIFICATION / ORDER FORMAT					DIMENSIONAL INFO.
model no.	lamp	finish	feed location	options	min. - max. length
BFL292i	6 - 6w T5	WH - white powdercoat	CL - customer left	/DL - damp location	10-5/8" - 13-9/16"
	8 - 8w T5	BL - black powdercoat	CR - customer right		13-5/8" - 22-5/8"
	13 - 13w T5	CH - polished chrome anodize			22-11/16" - 23-7/8"
	14 - 14w T5	SA - satin anodize			23-15/16" - 35-11/16"
	21 - 21w T5	BS - brushed satin anodize			35-3/4" - 47-7/16"
	28 - 28w T5	CU - custom finish			47-1/2" - 59-5/16"
	35 - 35w T5				59-3/8" -
	24 - 24w T5 HO	} available 120-240V only			23-15/16" - 35-11/16"
	39 - 39w T5 HO				35-3/4" - 47-7/16"
	54 - 54w T5 HO				47-1/2" - 59-5/16"

LENSES |



- LNS92C Clear prismatic lens (sold by the foot) \_\_\_ft.
- LNS92O White prismatic lens (sold by the foot) \_\_\_ft.

TUBE GUARD |

- TG Tube Guard (sold by the foot) \_\_\_ft.

DOWNTUBE FEED |

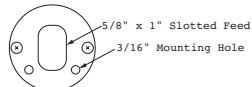
- FF1 Downtube feed & components
- FF3 Stem mount feed & components

END CAPS |



EC921

- EC921 Pair solid end caps (for glass end cases)
- EC922 Pair end caps w/ mounting holes (for wood end case mounting)



EC922

MOUNTING CLIPS |

- MC92 Pair mounting clips (for glass to glass case mounting)

POWER CORD |

- PCW6 6 foot 18g white powercord
- PCB6 6 foot 18g black powercord

T5  
display LIGHTING