

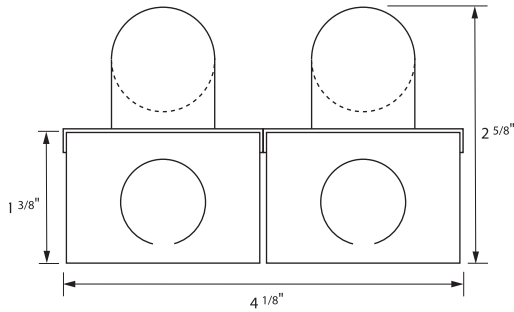
## BFL800-S

type:

### LINEAR T8 FLUORESCENT

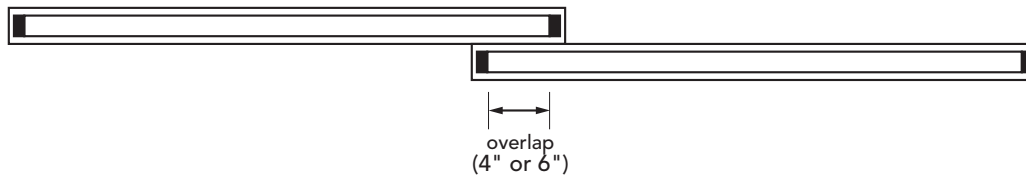
low profile linear T8 fluorescent single width staggered architectural fixture with integral ballast

#### PROFILE



- SPECIFICATIONS |**
- Fully assembled housing is formed and welded, 20 ga. steel, chemically treated to resist corrosion and enhance paint adhesion
  - Standard finish is high reflectance white powder coat, applied post production
  - Knock-outs accept standard electrical fittings (by others)
  - Available for two T8 17W, 25W, 32W or 40W linear fluorescent lamps
  - Available lamp overlaps of 4" or 6"
  - Standard Universal electronic high power factor ballast is pre-wired to the lamp holders (consult factory for other voltage options)
  - Dimming ballast and emergency battery back up options available (consult factory for availability and system compatibility)
  - UL and C-UL listed for dry and damp locations
  - May be used in conjunction with BFL800 single lamp fixture to terminate runs
  - IBEW manufactured and labeled
  - Made in the U.S.A.

#### PLAN VIEW



2S

3S

RA

SPECIFICATION / ORDER FORMAT					DIMENSIONAL INFO.
model no.	lamp	overlap	voltage	options	overall length
BFL800-S	2x17W T8	/4	/UNV	Dimming - (consult factory)	44"
		/6	(consult factory for other voltages)	/EB - emergency ballast (consult factory)	42"
	2x25W T8	/4		/DL - damp location	68"
		/6		/CU - custom finish (consult factory)	66"
	2x32W T8	/4			92"
		/6			90"
	2x40W T8	/4			116"
		/6			114"

**LENSES** | Two-piece system comprised of polycarbonate channel and striated snap-on cover



U8LNC  
U8LNO

Clear lens  
Opal Lens

**TUBE GUARD** |

TG

Tube Guard

T8

architectural LIGHTING

03.2014