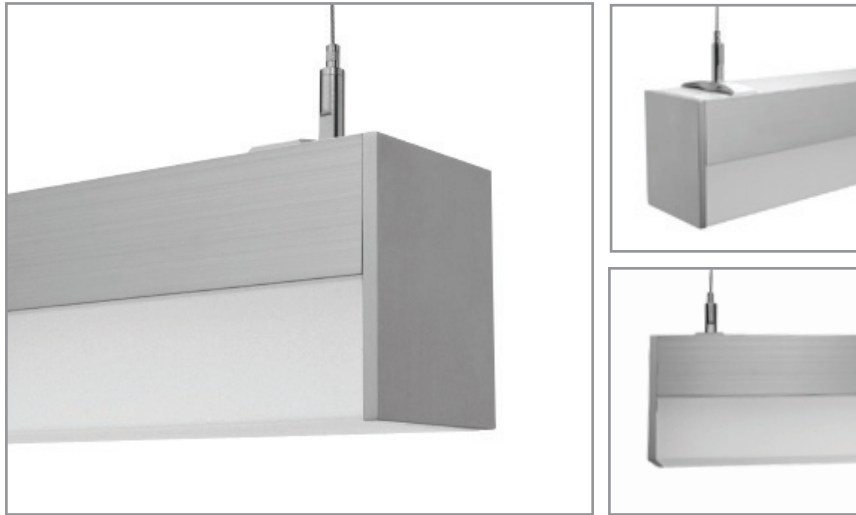


BSS215 | BODHI GENERAL INFORMATION



Rectilinear LED fixture with drop down lens

Project: _____ Type: _____



FEATURES

The BSS215 is a linear LED luminaire for general lighting applications. The 3-1/8" wide extruded aluminum housing is capped by a 2" tall, frosted, three sided lens that produces a wide distribution of diffuse illumination. 1/4" thick machined aluminum end caps finish off the fixture ends.

SPECIFICATIONS

Fixture constructed of an extruded aluminum, extruded, frosted acrylic lens and machined aluminum end caps

Model variations offered for surface, wall mount and cable suspended mounting with solid or luminous end options.

Field adjustable cable hangers can be located at nearly any point along the fixture length

Standard finishes as shown below

Available in nominal lengths of 2'-8' single fixtures and continuous runs

Basic continuous run fixtures provided with 18 ga. wiring harness for 6 Amp maximum load (consult factory for runs requiring multiple circuits, sensor integration, etc.)

Standard integral 120-277V driver offered with 0-10V dimming or non-dim (other dimming driver options available)

Integral 120-277V emergency battery backup available for 4' nominal non-dim or 0-10V (consult factory for all other lengths/drivers)

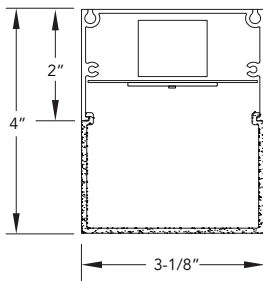
Standard light outputs are 600, 840 or 1135 lumens per foot LEDs available in 3000K, 3500K, 4000K, 5000K, within a 3 step MacAdam ellipse, all with 80+ CRI typical

Life: 50,000 hours L₇₀

Passive infrared occupancy sensor available

Limited five year warranty

SECTION



PERFORMANCE

NOMINAL LENGTH	OUTPUT	LUMENS/ft.	WATTS/ft.	LUMINAIRE LUMENS	EFFICACY (LPW)
4'	L: low	600	5.0	2177	117
	R: regular	840	7.8	3100	108
	H: high	1135	11.1	4189	102

*Note: All data reflects fixture with 3500K LEDs and solid ends





BSS215 -

NOMINAL FIXTURE LENGTH**	CORRELATED COLOR TEMPERATURE	DRIVER	LIGHT OUTPUT (lumens per foot)	OPTIONS	MOUNT	RUN CONFIGURATION	FINISH
2: 22-3/4"	30: 3000K - 80+ CRI	[Non-Dimming] leave blank for non-dimming	L: low - 600 R: regular - 840 H: high - 1135 CF: consult factory for custom output	ED: emergency driver (4' non-dim or 0-10V only) S1: occ sensor pos.1 (see options section) S2: occ sensor pos.2 (see options section) S3: occ sensor pos.3 (see options section)	SM: surface mount WD: wall mount - direct C4: cable mount 48" cable length C8: cable mount 96" cable length CF: consult factory for custom mounting	SN: single ST: starter AD: adder TR: terminator	AW: architectural white (semi-matte) WH: white (semi-gloss) BL: black (semi-matte) MB: matte black ESS: environmental satin silver BZ: bronze PR: primer CF: consult factory for custom finish SA: satin anodize (may require additional lead time)
3: 33-3/4"	35: 3500K - 80+ CRI	[Dimming]					
4: 44-3/4"	40: 4000K - 80+ CRI	DM: 0-10V, 1%					
5: 55-3/4"	50: 5000K - 80+ CRI	HE: Lutron EcoSystem 1%					
6: 66-3/4"		HES: Lutron EcoSystem, soft-on/fade-to-black, 1%					
7: 77-3/4"		H2: Lutron Hi-lume 2-wire forward phase, 1%, (120V ONLY)					
8: 88-3/4"		E5: Lutron EcoSystem 5-Series, 5%					
		EL: eldoLED ECOdrive 0-10V, 1%					
				LENS A: rectangular profile-solid end B: rectangular profile-luminous end			

** Actual dimension dependent on run configuration and sensor option

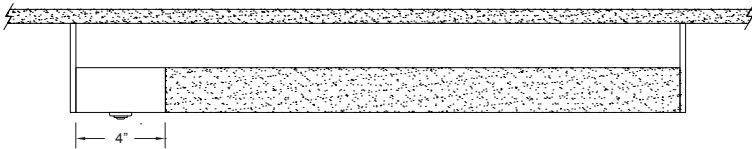
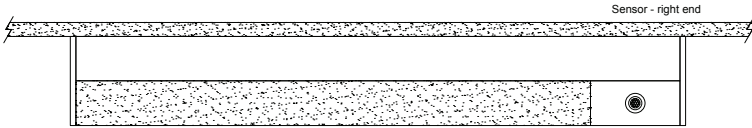
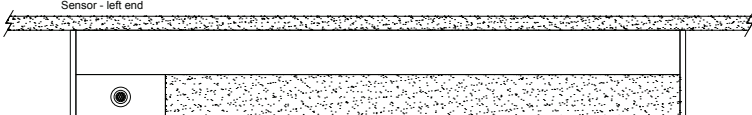
LENS

	ORDERING CODE	DESCRIPTION	SPECIFICATIONS
	A	RECTANGULAR SOLID END	Rectangular profile with full height aluminum end cap
	B	RECTANGULAR LUMINOUS END	Rectangular profile with aluminum end cap and frosted acrylic lens end

OPTIONS

ORDERING CODE	DESCRIPTION	SPECIFICATIONS
ED	EMERGENCY LED DRIVER	<ul style="list-style-type: none"> • Universal 120-277V input voltage emergency driver delivers initial minimum power of 10W for 90 minutes • Available for 4' nominal length non-dim or 0-10V fixture only (consult factory for all other lengths/drivers) <p>Note: remote battery backup available for shorter fixture lengths - ordered separately, consult factory for details</p>

OPTIONS

ORDERING CODE	DESCRIPTION	SPECIFICATIONS
	OCCUPANCY SENSOR	Passive infrared occupancy sensor with hold-off daylighting adjustment (10-120 foot candles) and time delay adjustment from 30 seconds to 30 minutes Sensor adds 4" to overall fixture length
S1	OCCUPANCY SENSOR - POSITION 1	Sensor located on the top at an end
		
S2	OCCUPANCY SENSOR - POSITION 2	Sensor located on the side at the right end
		
S3	OCCUPANCY SENSOR - POSITION 3	Sensor located on the side at the left end
		

MOUNTING

	ORDERING CODE	DESCRIPTION
	SM	<p>SURFACE MOUNT</p> <p>Use appropriate fastener through $\varnothing 3/16$" holes in housing</p>
	WD	<p>WALL MOUNT – DIRECT ORIENTATION</p> <p>Mounting option includes:</p> <ul style="list-style-type: none"> • 1-7/8" H x 2-1/2" W aluminum bracket projects the fixture housing 3/4:" from the wall surface
	C4 and C8	<p>CABLE MOUNT</p> <p>Mounting option includes:</p> <ul style="list-style-type: none"> • $\varnothing 1/16$" x 48" (C4) or 96" (C8) aircraft cables • 60" (C4) or 108" (C8) power cable (in coordinating finish) • Bracket bars • $\varnothing 5$" white canopies • Ceiling couplers • Side exit cable grippers