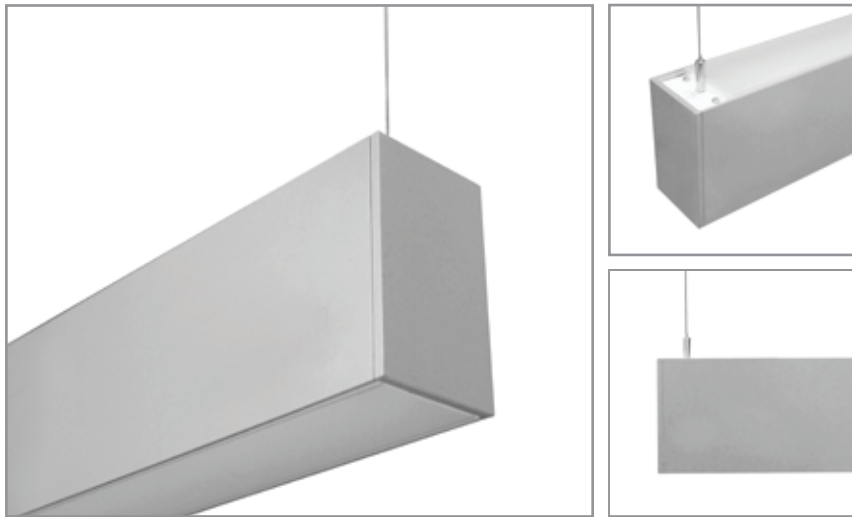


BSS260 | BODHI GENERAL INFORMATION



Rectilinear LED up/down light fixture

Project: _____ Type: _____



FEATURES

The Bodhi series BSS260 is a rectilinear direct/indirect LED luminaire for general lighting applications. The 3-1/4" wide by 5-1/2" high extruded aluminum housing is offered for wall or cable suspended mounting. The two LED sources can be configured independently for both switching, color temperature and lumen output.

SPECIFICATIONS

Fixture constructed of extruded aluminum, frosted extruded acrylic lenses and machined aluminum end caps

Model variations offered for wall mount and cable suspended applications

Standard finishes as shown below

Available in nominal lengths of 24"-89" single fixtures and continuous runs

Continuous runs fitted with quick connects for simple, efficient wiring

Available with dual circuiting of up light and down light elements and independent Wattage/foot options

Standard integral 120-277V driver offered with 0-10V dimming or non-dim (other dimming driver options available)

Remote mounted emergency battery backup available (ordered separately, consult factory for details)

Standard outputs are 5W and 8W nominal per foot

LEDs available in 3000K, 3500K, 4000K, 5000K, all with a typical 84-85 CRI and color consistency within a 3 step MacAdam ellipse

Lamp life rated at 50,000 hours

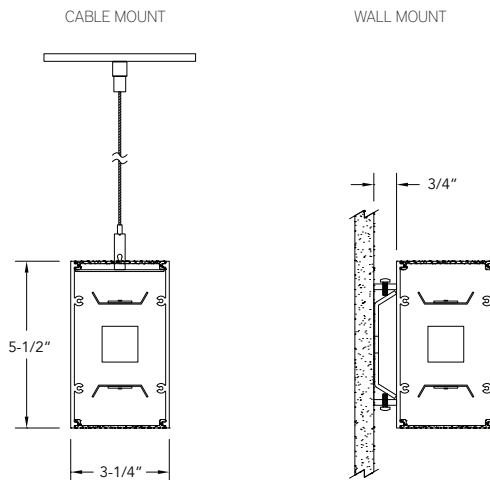
Limited five year warranty

UL and C-UL listed for dry and damp locations

IBEW manufactured and assembled

Made in U.S.A.

SECTION



PERFORMANCE

NOMINAL LENGTH	WATTS/FT.	TOTAL WATTS	LUMINAIRE LUMENS	EFFICACY
45"	16.6 (2 X 8.3)	61.8	6082	98

*Note: All data reflects fixtures with 3000K LEDs



BSS260 -

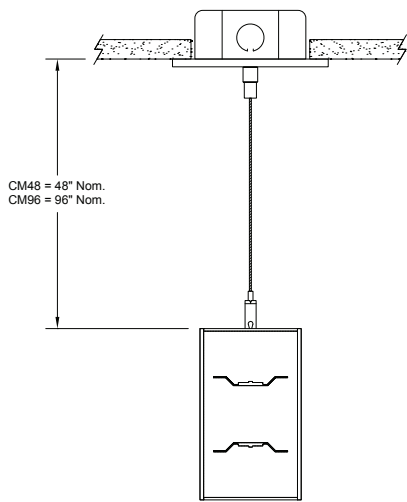
CABLE CENTER DISTANCE 21: 20-1/2" 32: 31-1/2" 43: 42-1/2" 54: 53-1/2" 65: 64-1/2" 76: 75-1/2" 87: 86-1/2"	COLOR TEMPERATURE 30: 3000K - 84 CRI 35: 3500K - 85 CRI 40: 4000K - 85 CRI 50: 5000K - 85 CRI	DRIVER [Non-Dimming] leave blank for non-dimming [Dimming] DM: 0-10V, 1% HE: Lutron EcoSystem, 1% HES: Lutron EcoSystem, soft-on/fade-to-black, 1% H2: Lutron Hi-lume 2-wire forward phase, 1%, (120V ONLY) H3: Lutron Hi-lume, 3-wire, 1% EL: eldoLED ECOdrive 0-10V, 1%	UP LIGHT WATTS/FOOT 5: 5 W/ft. 8: 8.3 W/ft. CF: consult factory for custom output	MOUNT CM48: cable mount 48" cable length CM96: cable mount 96" cable length WM: wall mount CF: consult factory for custom mounting	RUN CONFIGURATION SN: single ST: starter AD: adder TR: terminator	FINISH AW: architectural white (semi-matte) WH: white (semi-gloss) BL: black (semi-matte) MB: matte black ESS: environmental satin silver BZ: bronze PR: primer CF: consult factory for custom finish SA: satin anodize (may require additional lead time)
			CIRCUIT 1: single circuit 2: dual circuit	DOWN LIGHT WATTS/FOOT 5: 5 W/ft. 8: 8.3 W/ft. CF: consult factory for custom output		

** Actual dimension dependent on run configuration

MOUNTING

ORDERING CODE

DESCRIPTION

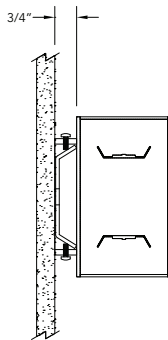


CM48 and CM96

CABLE MOUNT

Mounting option includes:

- \varnothing 1/16" x 48" (CM48) or 96" (CM96) aircraft cables
- 18 gauge x 60" (CM48) or 108" (CM96) SJT power cable (in coordinating finish)
- Bracket bars
- \varnothing 5" white canopies
- Ceiling couplers
- Side exit cable grippers



WM

WALL MOUNT

Mounting option includes:

- Use appropriate fasteners through \varnothing 3/16" holes in heavy gauge mounting bracket
- 4" H x 4" W aluminum trim collar projects the fixture housing 3/4" from the wall surface
- Set screws