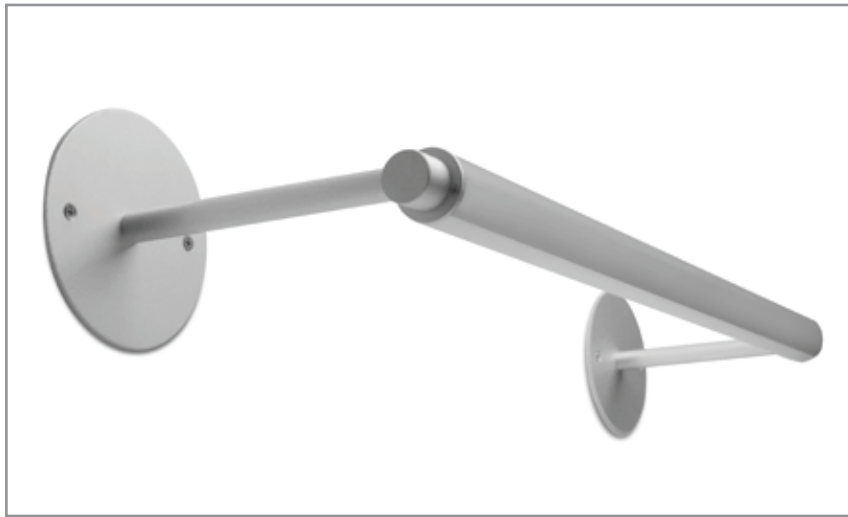


BSS501 | TUBULAR GENERAL INFORMATION



1-3/8" O.D. arm mount LED luminaire for remote driver operation

Project: _____ Type: _____



FEATURES

Part of the Tubular family of LED luminaires, the BSS501 is an arm mounted model ideally suited for wall wash and stack lighting. Slender aluminum arms project the Ø1-3/8" extruded aluminum housing from a wall or ceiling. A frosted acrylic lens diffuses the light from high quality diodes, while a generous range of rotation allows for flexible aiming.

SPECIFICATIONS

Fixture housing constructed of an extruded aluminum tube, frosted acrylic extruded lens and sheet aluminum end caps

Fixture arms are constructed of steel pipe, Ø5/8" extruded aluminum sleeves and machined aluminum end cap couplers.

Mounting plate options include a Ø4-3/4" aluminum plate for mounting to 4" octagonal wall boxes or Ø1-3/8" aluminum plate for mounting to accessible panels.

Standard finishes as shown below

Single and continuous run fixtures available with arm center distances of 24"-92" nominal

Arms allow fixture to project from a wall or ceiling nominally 3", 6", 12" or 18"

Fixture housing rotates 332° and is locked in place with hex fastener

Included standard remote 120-277V driver offered with 0-10V dimming or non-dim (other dimming driver options available)

Fixture wired with 10', low voltage leads (measured from the end cap)

Standard outputs are 400 and 525 lumens per foot

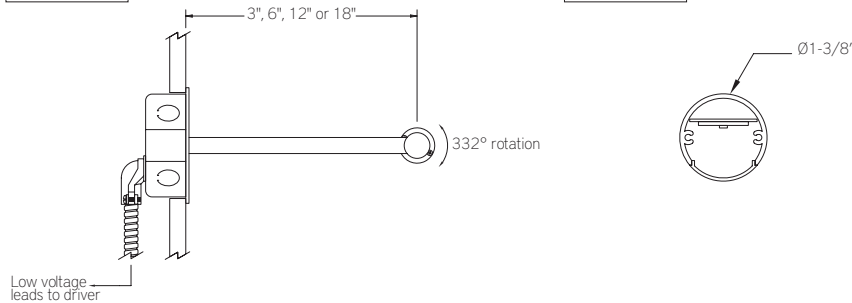
LEDs available in 2700K, 3000K, 3500K, and 4000K, within a 3 step MacAdam ellipse, all with 90+ CRI typical

Life: 50,000 hours L₇₀

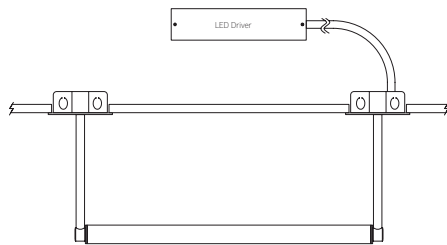
Limited five year warranty

PROFILE

SECTION



PLAN



PERFORMANCE

*Note: All data reflects fixtures with 3500K LEDs

NOMINAL LENGTH	OUTPUT	LUMENS/ft.	WATTS/ft.	LUMINAIRE LUMENS	EFFICACY (LPW)
4'	L: low	400	4.6	1525	88
	R: regular	525	6.5	1980	80

BSS501 -

ARM CENTER DISTANCE	CORRELATED COLOR TEMPERATURE	DRIVER	LIGHT OUTPUT (lumens per foot)	NOMINAL ARM LENGTH	RUN CONFIGURATION	FINISH
2: 24-3/8"	27: 2700K-90+ CRI	ND: non-dimming	L: low - 400	3: 3"	SN: single	AW: architectural white (semi-matte)
3: 35-9/16"	27: 2700K-90+ CRI	[Dimming]	R: regular - 525	6: 6"	ST: starter	WH: white (semi-gloss)
4: 46-3/4"	30: 3000K-90+ CRI	D: 0-10V, 1%	CF: consult factory for custom output	12: 12"	AD: adder	BL: black (semi-matte)
5: 57-15/16"	35: 3500K-90+ CRI	HE: Lutron EcoSystem, 1%		18: 18"	TR: terminator	MB: matte black
6: 69-1/8"	35: 3500K-90+ CRI	HES: Lutron EcoSystem, soft-on/fade-to-black, 1%				ESS: environmental satin silver
7: 80-5/16"	40: 4000K-90+ CRI	H2: Lutron Hi-lume 2-wire forward phase, 1%, (120V ONLY)				BZ: bronze
8: 91-1/2"		E5: Lutron EcoSystem 5-Series, 5%				PR: primer
		EL: eldoLED ECOdrive, 0-10V, 1%				CF: consult factory for custom finish
						SA: satin anodize (may require additional lead time)

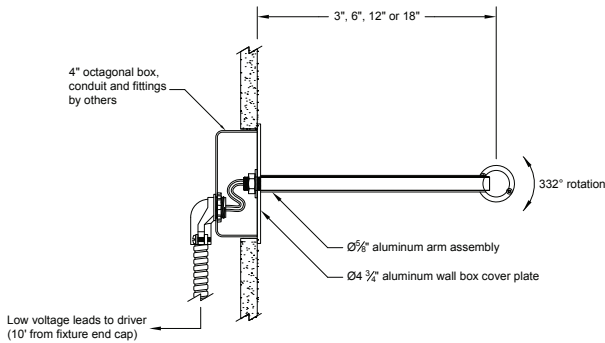
MOUNTING PLATE OPTION

WBR: wall box plate
TP: trim plate

Note: Each fixture includes a remote driver matched for fixture length and light output.

MOUNTING PLATE OPTION

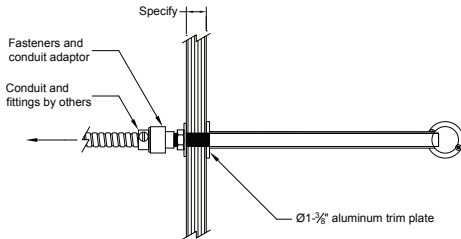
ORDERING CODE DESCRIPTION



WBR

WALL BOX MOUNTING PLATE

- Ø4-3/4" x 1/8" sheet aluminum plate in matching finish for mounting to 4" octagonal junction box (by others)
- Includes flat head Phillips machine screws



TP

TRIM PLATE

- 1-3/8" x 1/8" sheet aluminum plate in matching finish for mounting to a panel with access to the back side
- Includes flat washer, hex nut and fitting for adapting from the threaded arm tube to a conduit connector (by others)
- Accommodates panel thickness up to 3/4" – (consult factory for special mounting conditions)