

# BSS521 | GENERAL INFORMATION

3-1/2" O.D. arm mount LED fixture

Project: \_\_\_\_\_ Type: \_\_\_\_\_



## FEATURES

Part of the Tubular family of LED luminaires, the BSS521 is an arm mounted model ideally suited for wall wash and general illumination. Aluminum arms project the Ø3-1/2" extruded aluminum housing from a wall or ceiling. A frosted acrylic lens diffuses the light from high quality diodes, while a generous range of rotation allows for flexible aiming.

## SPECIFICATIONS

Fixture constructed of an extruded aluminum housing, frosted acrylic extruded lens and sheet aluminum end caps

Fixture arms are constructed of steel pipe, Ø3/4" extruded aluminum sleeves and machined aluminum end cap couplers.

Includes Ø4-3/4" x 1/8" thick aluminum plates and screws for mounting to 4" octagonal wall boxes (by others)

Standard finishes as shown below

Available in nominal lengths of 24"-68" single fixtures and continuous runs

Arms allow fixture to project from a wall or ceiling nominally 4", 6", 12" or 18"

Fixture housing rotates 338° and is locked in place with hex fastener

Standard integral 120-277V driver offered with 0-10V dimming or non-dim (other dimming driver options available)

Remote mounted emergency battery backup available (ordered separately, consult factory for details)

Standard outputs are 5W or 8W nominal per foot

LEDs available in 3000K, 3500K, 4000K, 5000K, all with a typical 84-85 CRI and color consistency within a 3 step MacAdam ellipse

Lamp life rated at 50,000 hours

Limited five year warranty

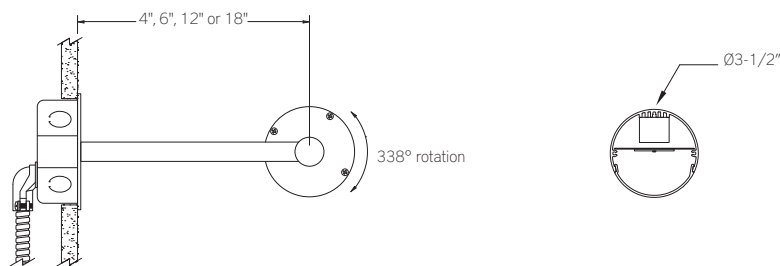
UL and C-UL listed for dry and damp locations

IBEW manufactured and assembled

Made in U.S.A.

## PROFILE

## SECTION



## PLAN



## PERFORMANCE

\*Note: All data reflects fixtures with 3500K LEDs

NOMINAL LENGTH	WATTS/FT.	TOTAL WATTS	LUMINAIRE LUMENS	EFFICACY
45"	8.5	31.8	3544	111

## BSS521 +

### ARM CENTER DISTANCE

24: 24-1/8"  
35: 35-1/8"  
46: 46-1/8"  
57: 57-1/8"  
68: 68-1/8"

### COLOR TEMPERATURE

30: 3000K - 84 CRI  
35: 3500K - 85 CRI  
40: 4000K - 85 CRI  
50: 5000K - 85 CRI

### DRIVER

**[Non Dimming]**  
leave blank for non dimming  
**[Dimming]**  
DM: 0-10V, 1%  
HE: Lutron EcoSystem, 1%  
HES: Lutron EcoSystem, soft-on/fade-to-black, 1%  
H2: Lutron Hi-lume 2-wire forward phase, 1%, (120V ONLY)  
EL: eldoLED ECOdrive 0-10V, 1%

### WATTS/FOOT

5: 5 W/ft.  
8: 8.5 W/ft.  
CF: consult factory for custom wattage

### NOMINAL ARM LENGTH

4: 4"  
6: 6"  
12: 12"  
18: 18"  
CF: consult factory for custom arm length

### RUN CONFIGURATION

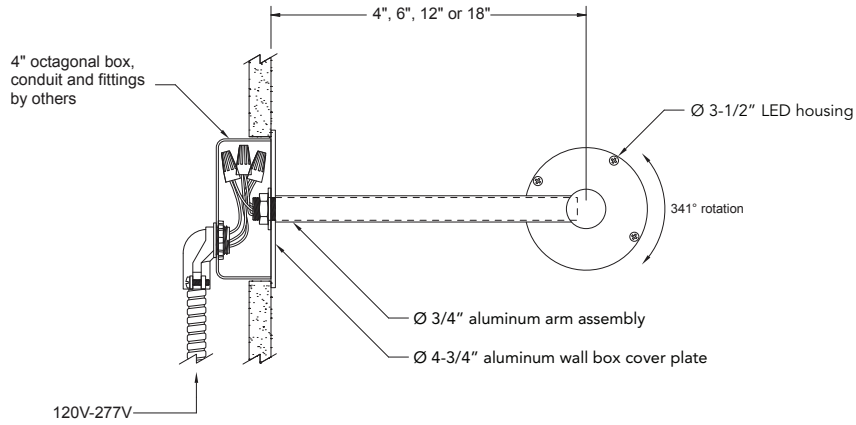
SN: single  
ST: starter  
AD: adder  
TR: terminator

### FINISH

AW: architectural white (semi-matte)  
WH: white (semi-gloss)  
BL: black (semi-matte)  
MB: matte black  
ESS: environmental satin silver  
BZ: bronze  
PR: primer  
CF: consult factory for custom finish  
SA: satin anodize (may require additional lead time)

## MOUNTING

## DESCRIPTION



- Ø 3-1/2" LED housing with frosted lens
- Aluminum end cap/arm couplers
- Threaded arm tube
- Aluminum arm sleeve
- Ø 4-3/4" wall box mounting plate
- Flat head Phillips mounting plate screw