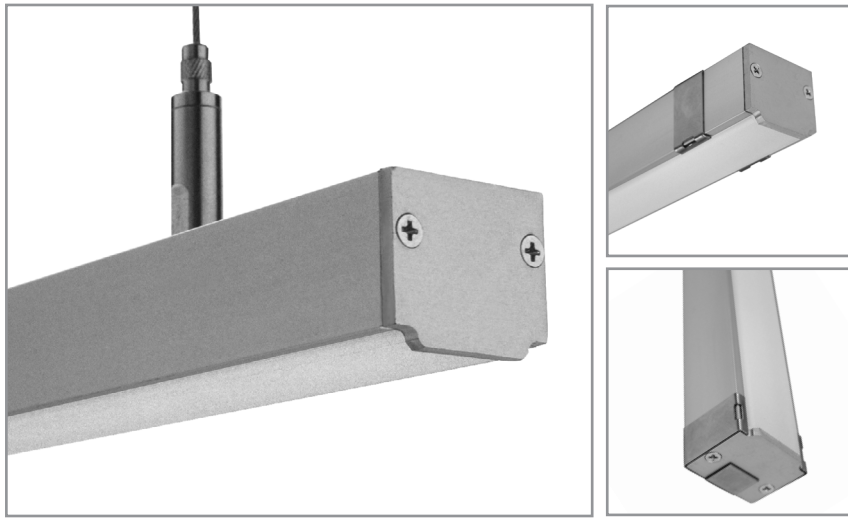


BSS840 | GENERAL INFORMATION



Miniature rectilinear LED luminaire for remote driver operation

Project: _____ Type: _____



FEATURES

The BSS840 is a miniature profile, remote driven, linear LED luminaire for general lighting applications. The 1-1/8" tall by 1-5/16" wide extruded aluminum housing is capped with a flat, frosted lens that produces diffuse illumination.

SPECIFICATIONS

Fixture constructed of an extruded aluminum housing, frosted acrylic extruded lens and sheet aluminum end caps

Model variations offered for surface and cable suspended applications

Standard finishes as shown below

Surface mount models are available in nominal lengths of 2'- 8' as single fixtures only

Cable suspended models are available in nominal lengths of 2'- 8' as single fixtures and continuous runs

Surface mount models install with spring clips, are wired with 10' low voltage leads and available with back or end feed options

Included standard remote 120-277V driver offered with 0-10V dimming or non-dim (other dimming driver options available)

Remote mounted emergency battery backup available (ordered separately, consult factory for details)

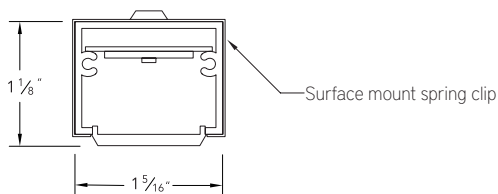
Standard outputs are 5W, 7W, and 12W nominal per foot

LEDs available in 2700K, 3000K, 3500K, and 4000K, within a 3 step MacAdam ellipse, all with 90+ CRI typical

Life: 50,000 hours L70

Limited five year warranty

SECTION



PERFORMANCE

NOMINAL LENGTH	WATTS/ft.	TOTAL WATTS	LUMINAIRE LUMENS	EFFICACY
45"	7.4	28.1	2192	78

*Note: All data reflects fixtures with 3000K LEDs



BSS840-

NOMINAL FIXTURE LENGTH**

- 2: 22-7/8"
- 3: 34-1/16"
- 4: 45-1/4"
- 5: 56-7/16"
- 6: 67-5/8"
- 7: 78-13/16"
- 8: 90"

CORRELATED COLOR TEMPERATURE

- 27: 2700K-90+ CRI
- 30: 3000K-90+ CRI
- 35: 3500K-90+ CRI
- 40: 4000K-90+ CRI

DRIVER

- ND: non-dimming
- [Dimming]
- D: 0-10V, 1%
- HE: Lutron EcoSystem, 1%
- HES: Lutron EcoSystem, soft-on/fade-to-black, 1%
- H2: Lutron Hi-lume 2-wire forward phase, 1%, (120V ONLY)
- E5: Lutron EcoSystem 5-Series, 5%
- EL: eldoLED ECOdrive, 0-10V, 1%

LIGHT OUTPUT (lumens per foot)

- 5: 5W/ft.
- 7: 7.4W/ft.
- 12: 12W/ft.
- CF: consult factory for custom wattage

MOUNT

- S1: surface mount back feed (SN only)
- S2: surface mount end feed (SN only)
- C4: cable mount 48" cable length
- C8: cable mount 96" cable length
- CF: consult factory for custom mounting

RUN CONFIGURATION

- SN: single
- ST: starter
- AD: adder
- TR: terminator

FINISH

- AW: architectural white (semi-matte)
- WH: white (semi-gloss)
- BL: black (semi-matte)
- MB: matte black
- ESS: environmental satin silver
- BZ: bronze
- PR: primer
- CF: consult factory for custom finish
- SA: satin anodize (may require additional lead time)

Note: Each fixture includes a remote driver matched for fixture length and light output
 ** Actual dimension dependent on run configuration

MOUNTING

	ORDERING CODE	DESCRIPTION
	S1	<p>SURFACE MOUNT - BACK FEED</p> <p>Mounting option includes:</p> <ul style="list-style-type: none"> • 10' low voltage leads exiting from the fixture back at an end • One pair spring mounting clips for horizontal and vertical mounting (natural finish, requires #6 flat head screws by others)
	S2	<p>SURFACE MOUNT - END FEED</p> <p>Mounting option includes:</p> <ul style="list-style-type: none"> • 10' low voltage leads exiting from the fixture end • One pair spring mounting clips for horizontal and vertical mounting (natural finish, requires #6 flat head screws by others)
	C4 and C8	<p>CABLE MOUNT</p> <p>Mounting option includes:</p> <ul style="list-style-type: none"> • \varnothing 1/16" x 48" (C4) or 96" (C8) aircraft cables • 18 gauge x 60" (C4) or 102" (C8) SJT power cable (in coordinating finish) • Bracket bars • \varnothing 5" white canopies • Ceiling couplers • Side exit cable grippers