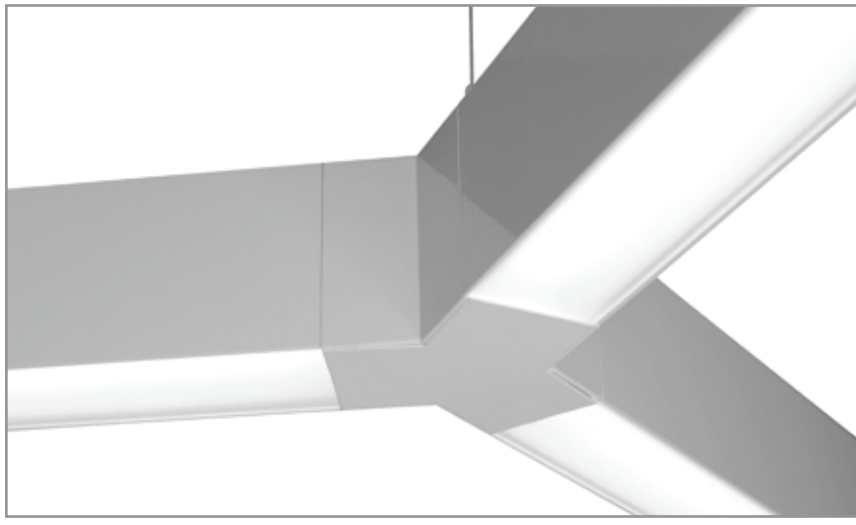


BSS610 | YOX - BUILD

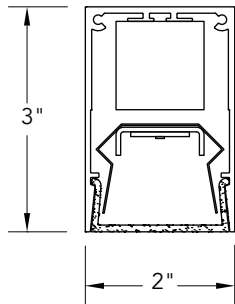
2" wide multi-axis direct LED luminaire system



Project: _____ Type: _____



SECTION



FEATURES

Create an endless variety of multi-directional fixture runs and geometric shapes with the BS610 YoX linear LED system. This luminaire family consists of modular 2" wide by 3" tall extruded aluminum housings and joining modules in Straight, "L", "T", "Y", and "X" configurations. Fixtures can be surface or cable suspended and optioned with a variety of dimming drivers and occupancy sensor.

SPECIFICATIONS

Fixture housings constructed an extruded aluminum housing, extruded, frosted acrylic lens and machined aluminum end caps

Mounting variations offered for surface or cable suspended applications

Fixture housings require BSS610-M Joining Modules for mounting and supplying power (specified separately)

Standard finishes as shown below

Fixture modules available in nominal lengths of 2'-8' and are provided with 18 ga. wiring harnesses (6 Amp max. load) at a suitable length for connecting to adjacent fixtures or power modules (consult factory for runs requiring multiple circuits, sensor integration, etc.)

Standard integral 120-277V driver offered with 0-10V dimming or non-dim (other dimming driver options available)

Integral 120-277V emergency battery backup available for 4'-8' fixtures (remote battery backup available for shorter fixture lengths - ordered separately, consult factory for details)

Standard outputs are 680 and 880 lumens per foot

LEDs available in 2700K, 3000K, 3500K and 4000K, within a 3 step MacAdam ellipse, all with 90+ CRI typical

Life: 50,000 hours L₇₀

UL and C-UL listed for dry and damp locations

Limited five year warranty

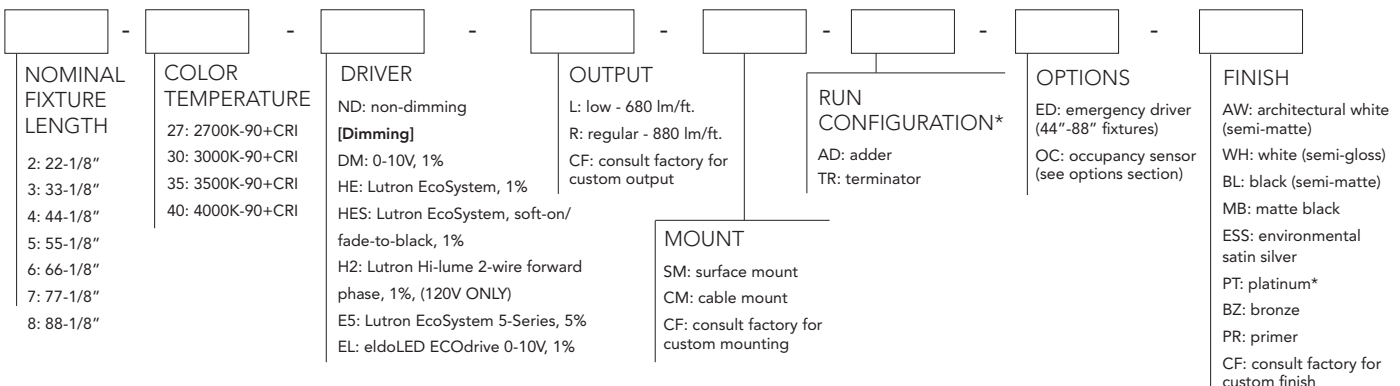
PERFORMANCE

NOMINAL LENGTH	OUTPUT	LUMENS/ft.	WATTS/ft.	LUMINAIRE LUMENS	EFFICACY
4'	L: low	680	6.4	2500	107
	R: regular	880	8.8	3240	100

*Note: All data reflects fixtures with 3500K LEDs



BSS610 -

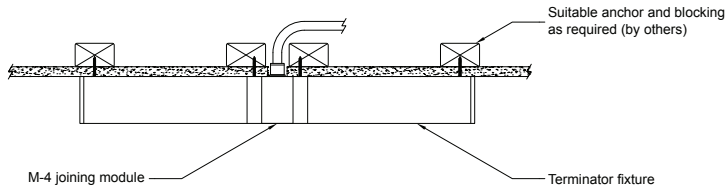


* For single fixtures and straight, continuous runs, see model BSS208.

MOUNTING

ORDERING CODE DESCRIPTION

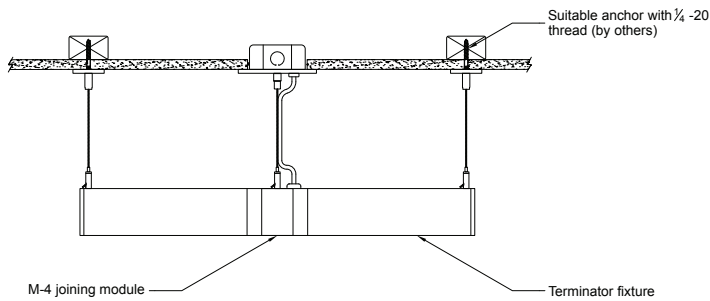
"T" shape shown



SM SURFACE MOUNT

- Use appropriate fastener through Ø3/16" holes in housing
- Power is supplied through an adjacent Joining Module

"T" shape shown



CM CABLE MOUNT

- Power is supplied through an adjacent cable suspended Joining Module

OPTIONS

ORDERING CODE DESCRIPTION SPECIFICATIONS

ED EMERGENCY LED DRIVER

- Universal 120-277V input voltage emergency driver delivers initial minimum power of 10W for 90 minutes
- Available for 44"-88" fixtures
- Provided with combination test switch/indicator light mounted on housing top for suspended applications or the housing underside for surface mount applications
- Contractor to run necessary wiring through fixture arrays

Note: remote battery backup available for shorter fixture lengths - ordered separately, consult factory for details

OC OCCUPANCY SENSOR

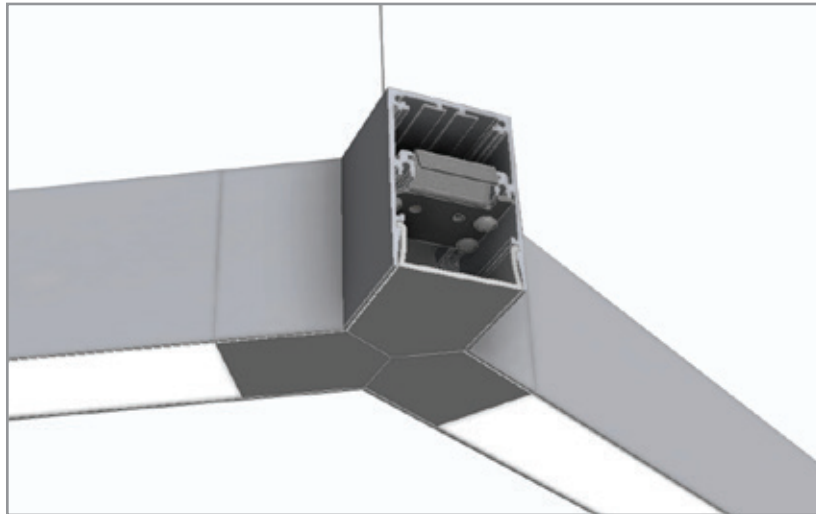
Passive infrared occupancy sensor with hold-off daylighting adjustment (10-120 foot candles) and time delay adjustment from 30 seconds to 30 minutes

Note: control unit located in fixture housing while optical sensor is mounted to an adjacent Joining Module

BSS610-M | YOX - BUILD - JOINING MODULE ACCESSORY

Joining modules for BSS610 LED fixture housing

Project: _____ Type: _____



SPECIFICATIONS

Joining Modules constructed an extruded aluminum housing, and machined aluminum end caps

Standard finishes as shown below

Modules available in Straight, 90° "L", 90° "T", 90° "X", 120° "L" and 120° "Y" configurations

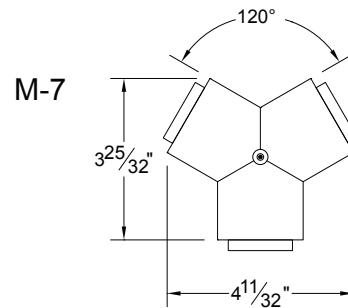
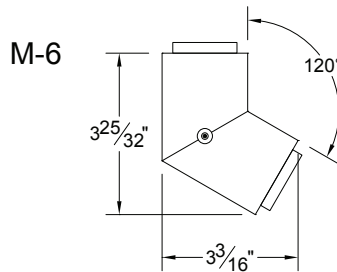
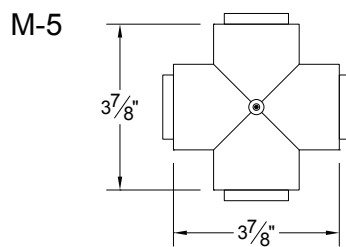
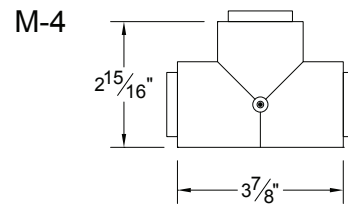
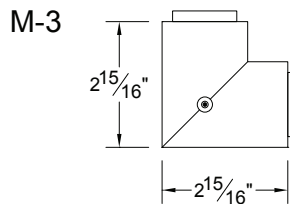
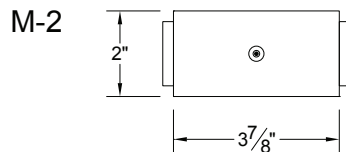
Mounting variations offered for surface or cable suspended applications

Cable suspended modules with the power feed option provided with coordinating (white, metal braided) 18 ga. power cable for load up to 6 Amps

Passive infrared occupancy sensor available for 3' and longer fixtures

PLAN

(Cable mount, no power feed shown)

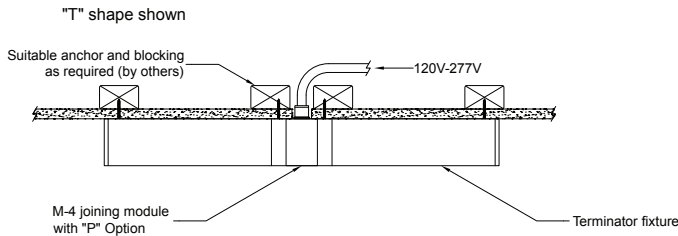


BSS610-M +

	+		+		+		+	
MODULE CONFIGURATION		MOUNT		POWER FEED		OPTIONS		FINISH
2: straight 3: L - 90° 4: T - 90° 5: X - 90° 6: L - 120° 7: Y - 120°		SM: surface mount C4: cable mount 4' cable length C8: cable mount 8' cable length CF: consult factory for custom mounting		N: no power P: power		S1: occ sensor pos. 1 (see options section)		AW: architectural white (semi-matte) WH: white (semi-gloss) BL: black (semi-matte) MB: matte black ESS: environmental satin silver BZ: bronze PR: primer CF: consult factory for custom finish

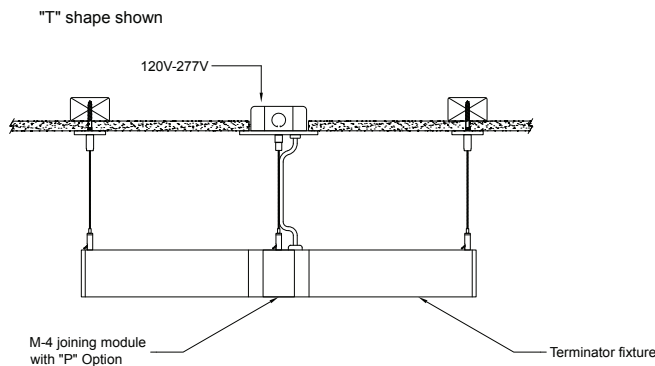
MOUNTING

ORDERING CODE DESCRIPTION



SM SURFACE MOUNT

Use appropriate fastener through Ø3/16" holes in Joining Module housing



C4 CABLE MOUNT

C8 Mounting option includes:

- Ø 1/16" x 48" (C4) or 96" (C8) aircraft cables
- 18 gauge x 60" (C4) or 102" (C8) SJT power cable (in coordinating finish)
- Bracket bars
- Ø 5" white canopy for "P" power feed option
- Ø 2" white canopy for "N" NO power option
- Ceiling couplers
- Side exit cable grippers

POWER FEED

ORDERING CODE DESCRIPTION SPECIFICATIONS

P	With power feed	<ul style="list-style-type: none"> • SM option Modules: Housing is provided with a Ø7/8" hole on mounting surface • CM option Modules: Supplied with 18 gauge x 60" (C4) or 108" (C8) SJT power cable (in coordinating finish) for maximum 6 Amp load and a Ø5" white canopy <p>NOTE: When using for emergency lighting, CONSULT FACTORY</p>
N	NO power feed	<ul style="list-style-type: none"> • CM option Modules: provided with a Ø2" white canopy

OPTIONS

ORDERING CODE DESCRIPTION SPECIFICATIONS

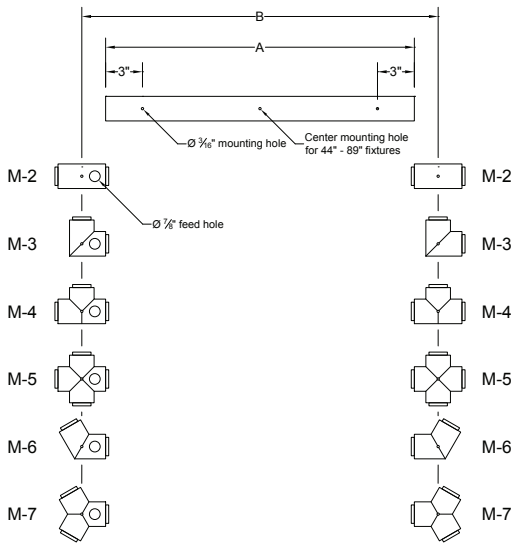
	OCCUPANCY SENSOR	<p>Passive infrared occupancy sensor with hold-off daylighting adjustment (10-120 foot candles) and time delay adjustment from 30 seconds to 30 minutes</p> <p>Note: optical sensor is mounted in the Joining Module, while the control unit is mounted in an adjacent fixture housing (specify designated fixture with the "OC" option)</p>
S1	OCCUPANCY SENSOR - POSITION 1	Optical sensor located on the bottom side in the center

LENGTH / MOUNTING DIMENSIONS

Note: Cable Center/Mounting Hole Dimensions "B" and "C" are constant, regardless of the Joining Module configuration.

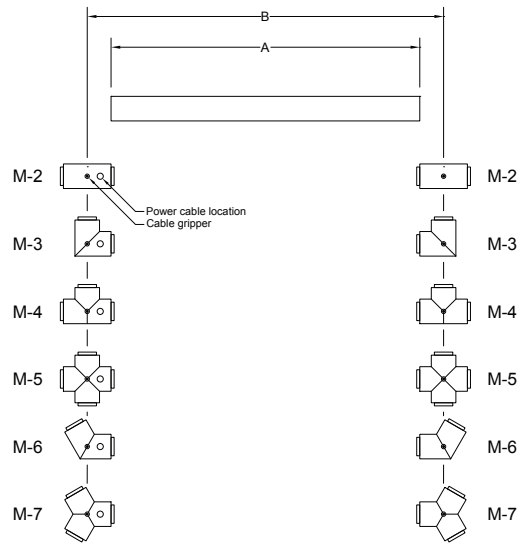
FIXTURE ORDERING CODE	LENGTH A	LENGTH B	LENGTH C
2	22-1/8"	26"	23-5/16"
3	33-1/8"	37"	34-5/16"
4	44-1/8"	48"	45-5/16"
5	55-1/8"	59"	56-5/16"
6	66-1/8"	70"	67-5/16"
7	77-1/8"	81"	78-5/16"
8	88-1/8"	92"	89-5/16"

"SM" - Surface Mount Adder Fixture



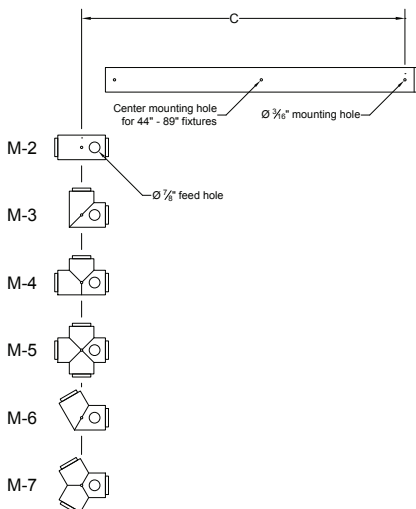
With "P" Power Feed Option

"CM" - Cable Mount Adder Fixture



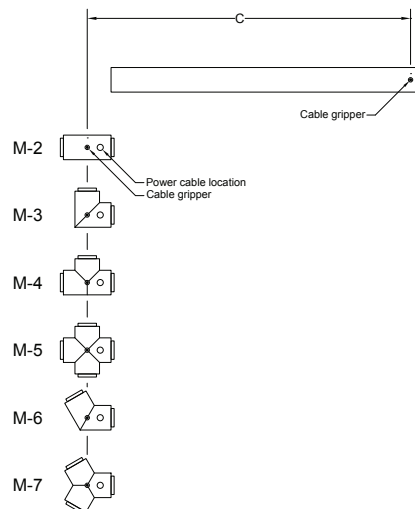
With "P" Power Feed Option

"SM" - Surface Mount Terminator Fixture



With "P" Power Feed Option

"CM" - Cable Mount Terminator Fixture



With "P" Power Feed Option

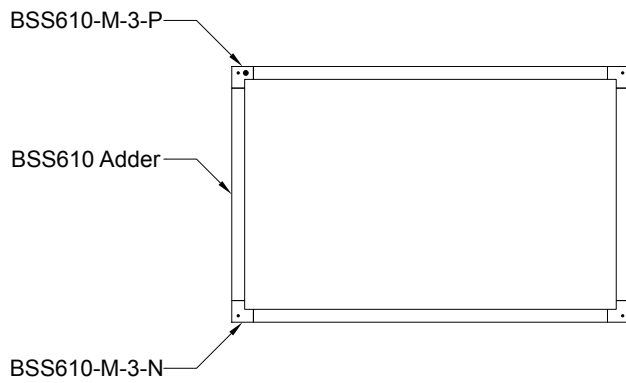
LAYOUT EXAMPLES

Below are a few examples of layouts that can be created with YoX Fixtures and Joining Modules. Use any combination of fixture lengths and module configurations to create unique shapes and designs.

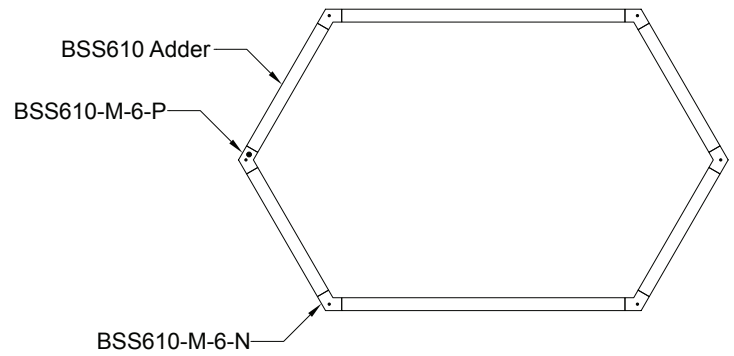
IMPORTANT: Provide finished layout to Bartco Lighting for verification.

To aid in producing layouts, visit bartcoLIGHTING.com/product/BSS610/layouttools for access to CAD blocks.

SQUARE



HEXAGON



FREESTYLE

