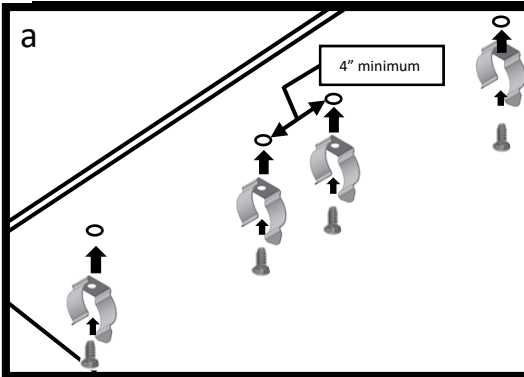


Safety Warnings

- **Disconnect the power source before installing or servicing fixtures . ELECTRICAL DAMAGE TO FIXTURES MAY OCCUR.**
- **To be installed by a qualified electrician only.**
- **All electrical installations should be made according to the national, State and Local codes and regulations.**
- **Risk of electric shock if not handled correctly.**

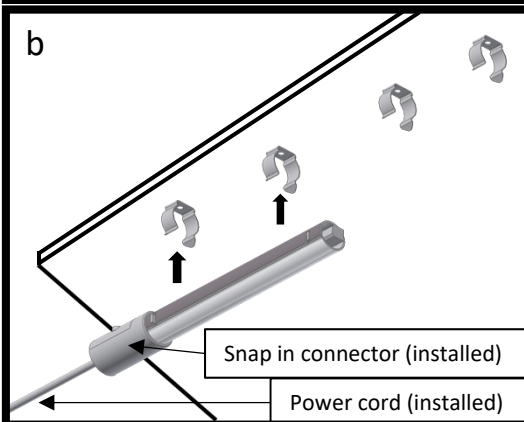


1. Install the mounting clips

Note: Each fixture is supplied with TWO spring mount clips.

Secure all spring clips for the continuous run to the mounting surface using appropriate hardware (by others), through 5/32" diameter holes. The Mounting clips Require a 2" Minimum spacing from the ends or 4" from each other.

(See figure a)



2. Install the Starter Fixture

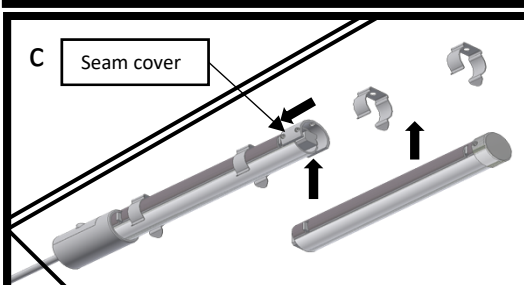
Starter Fixtures are provided with an installed Power Cord Adapter and power cord for non-dimming plug and play simplicity. (for non-dimming applications, cap dimming leads)

Snap the Starter fixture into the spring clips with the lens aimed at the desired angle.

Apply power to the fixture and fine tune aiming of the light by rotating the fixture housing.

(See figure b)

IMPORTANT- Disconnect power to the fixture before installing Adder fixtures or electrical damage may occur.

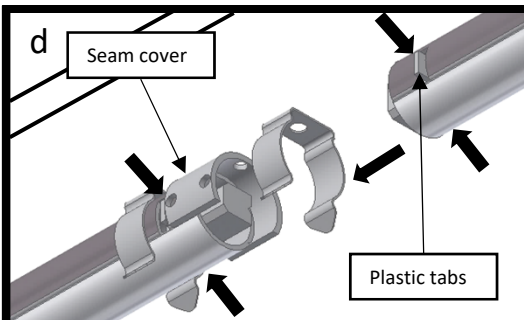


3. Install the seam cover(s)

Slide the Seam Cover over the power output end of the Starter fixture.

Leave the seam cover without tightening until adder fixture is installed. (See figure c)

Note: Each adder fixture is supplied with a loose Seam Cover.

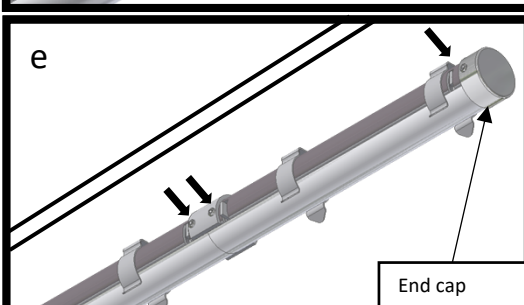


4. Install the Adder Fixture(s)

Align the lens with the Starter Fixture and snap the Adder fixture into the spring clips.

While squeezing the two plastic tabs at the end of the fixtures, Slide the Adder fixture towards the Starter Fixture and engage the power quick-connects fully.

(See figure d)



5. Install seam cover screws

Of the four set screws on the Seam Cover, tighten at least two set screws for each joined fixture using the provided 1/16" hex key wrench. Continue these steps for remaining Adder Fixtures in the continuous run (up to 40' max length). On terminating fixture, place end cap and tighten set screw. **DO NOT OVERTIGHTEN SET SCREWS.** Apply power and test function. Installation is now complete.