

BFZ100-R | FRACTALZ GENERAL INFORMATION



Fractalz – 2-1/4" wide recessed flush mount LED luminaire

Project: _____ Type: _____



FEATURES

The BFZ100-R is part of the dynamic Fractalz series linear LED luminaires. This flush mount design not only creates clean, linear runs of light but also serves as a mounting point for Fractalz Through-Space luminaires to project luminous lines into interior volumes.

SPECIFICATIONS

Fixture constructed of an extruded aluminum housing, sheet formed plaster flanges and frosted acrylic lens

Fixture flush mounts in walls or hard ceilings and integrates with the Fractalz series Through-Space luminaires

Available in nominal lengths of 24"-96" at 6" intervals

Removable end plaster flanges convert single fixtures for use in continuous runs

Fixtures provided with 18 ga. wiring harness for 6 Amp maximum load

Standard integral 120-277V constant voltage driver offered with 0-10V dimming or non-dim

Standard output is 480 lumens per foot

LEDs available in 2700K, 3000K, 3500K, and 4000K, within a 3 step MacAdam ellipse, all with 80+ CRI typical

LED life rated at 50,000 hours

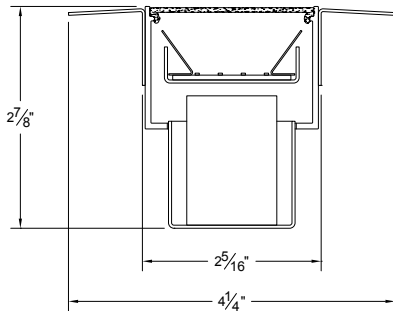
Limited five year warranty

UL and C-UL listed for dry and damp locations

IBEW manufactured and assembled

MADE IN U.S.A.

SECTION



PERFORMANCE

NOMINAL LENGTH	LUMENS/ft.	WATTS/ft.	LUMINAIRE LUMENS	EFFICACY (LPW)
4'	480	4.9	2045	97

*Note: All data reflects fixtures with 3500K LEDs

BFZ100-R -

NOMINAL LENGTH** 24: 24" 30: 30" 36: 36" 42: 42" 48: 48" 54: 54" 60: 60" 66: 66" 72: 72" 78: 78" 84: 84" 90: 90" 96: 96"	INTERFACE CONFIGURATION A DE: dead end 45: 45° interface	INTERFACE CONFIGURATION B DE: dead end 45: 45° interface	CORRELATED COLOR TEMPERATURE 27: 2700K-80+ CRI 30: 3000K-80+ CRI 35: 3500K-80+ CRI 40: 4000K-80+ CRI	DRIVER N: non-dimming D: dimming, 0-10V, 10%
---	--	--	--	--

* A standard finish requiring a two step coating process – premium will apply

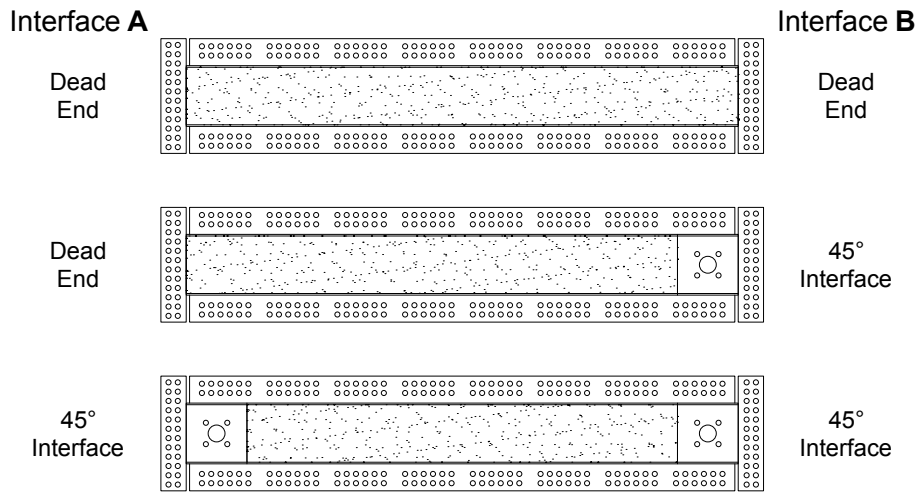
INTERFACE CONFIGURATIONS Note:

Interface Key

DE: Dead End – The end of a single fixture, beginning or end of a continuous run or joint between fixtures

45: 45° Interface – End serves as the mounting point to a Fractalz series Through-Space fixture with mating 45° Inward or 45° Outward interface

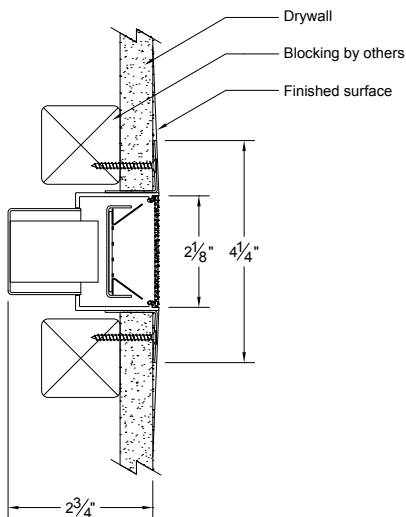
90: 90 Interface – End serves as the mounting point to a Fractalz series Through-Space fixture with mating 90° interface



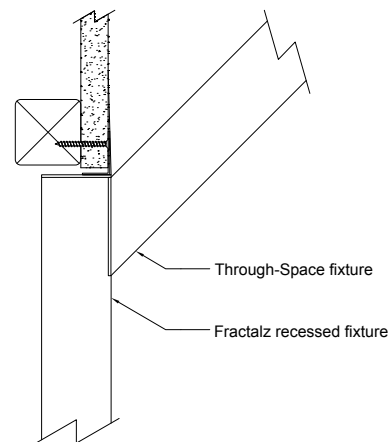
MOUNTING Note: BFZ100-R recessed fixtures must be securely mounted to wall or ceiling framing to support cantilevered Through-Space fixtures

- Installs after 1/2" or 5/8" drywall
- Housing secured with drywall screws into adequate blocking
- Finished with joint compound over plaster frame

Mounting to Wall Framing



Mounting with BFZ100-T through-space fixture

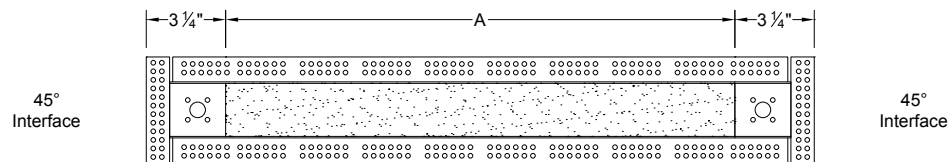
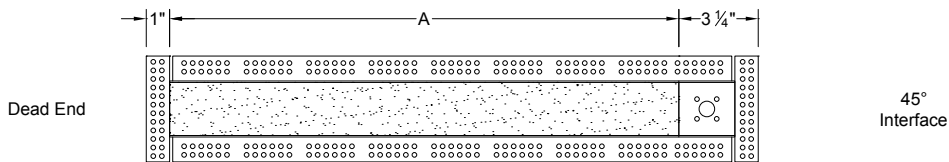
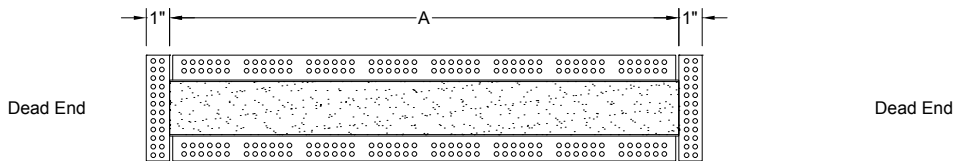


BFZ100-R | FRACTALZ

Fractalz – 2-1/4" wide recessed flush mount LED luminaire

LENGTH DIMENSIONS

FIXTURE ORDERING CODE	LENGTH A	FIXTURE ORDERING CODE	LENGTH A
24	24"	66	66"
30	30"	72	72"
36	36"	78	78"
42	42"	84	84"
48	48"	90	90"
54	54"	96	96"
60	60"		



Continuous Run Example

