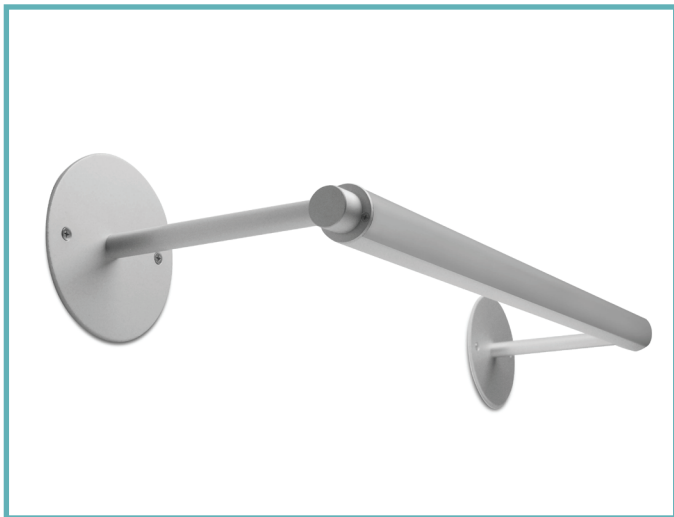


1-3/8" O.D. arm mount LED luminaire for outdoor locations and remote driver operation

Project: _____ Type: _____



FEATURES

The BSW501 is a wet location, arm mounted LED luminaire, ideally suited for wall wash and facade lighting. The Ø1-3/8" extruded aluminum housing rotates on slender aluminum arms for flexible aiming. Each fixture is paired with a remote mounted, wet location driver and housing.

SPECIFICATIONS

Fixture housing constructed of an extruded aluminum tube, frosted acrylic extruded lens and sheet aluminum end caps

Fixture arms are constructed of zinc plated steel pipe Ø5/8" extruded aluminum sleeves and machined aluminum end cap couplers.

Includes Ø4-3/4" aluminum plate for mounting to 4" octagonal wall boxes (by others).

Standard finishes as shown below

Single and continuous run fixtures available with arm center distances of 2'-5" nominal

Arms allow fixture to project from a wall or roofline nominally 3", 6" or 12"

Fixture housing rotates 332° and is locked in place with hex fastener

Fixture wired with 10', low voltage leads (measured from the end cap)

Includes wet location 120-277V non-dimming driver and surface mount aluminum housing

Performance data pending lab tests

LEDs available in 3000K, 3500K and 4000K, within a 3 step MacAdam ellipse, all with 80+ CRI typical

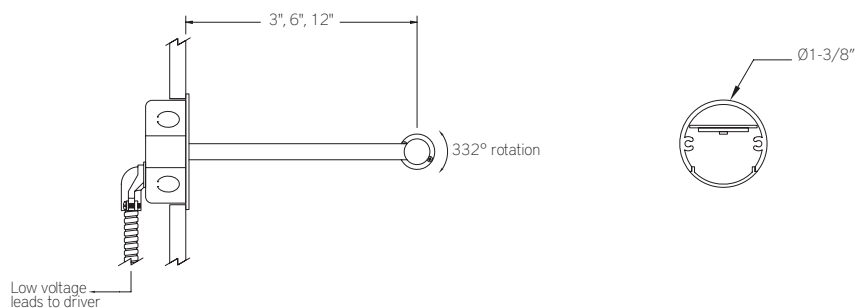
Life: 50,000 hours L70

Limited five year warranty

UL and C-UL listed for wet locations

PROFILE

SECTION



BSW501 -

ARM CENTER DISTANCE

- 2: 25-1/4"
- 3: 36-5/8"
- 4: 48-1/8"
- 5: 59-1/2"

CORRELATED COLOR TEMPERATURE

- 30: 3000K-80+ CRI
- 35: 3500K-80+ CRI
- 40: 4000K-80+ CRI

DRIVER

[remote]
RN: non-dimming

LIGHT OUTPUT (lumens per foot)

- L: low
- R: regular

NOMINAL ARM LENGTH

- 3: 3"
- 6: 6"
- 12: 12"
- CF: consult factory for custom arm length

RUN CONFIGURATION

- SN: single
- ST: starter
- AD: adder
- TR: terminator

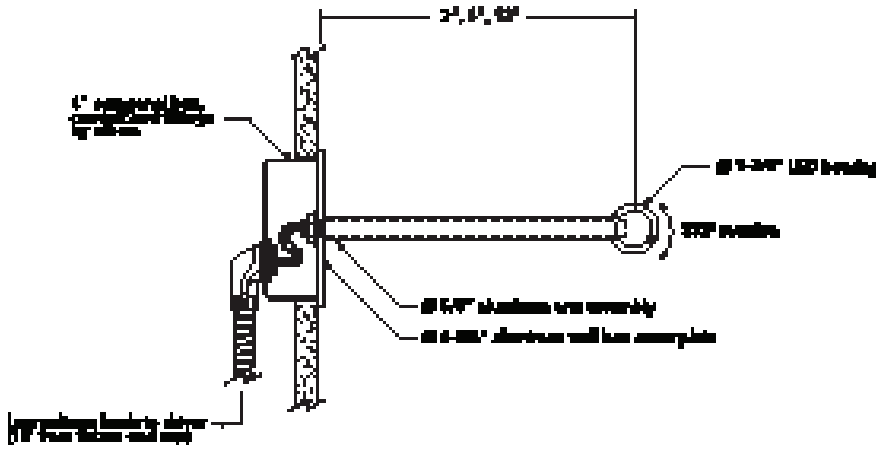
FINISH

- AW: architectural white (semi-matte)
- WH: white (semi-gloss)
- BL: black (semi-matte)
- MB: matte black
- ESS: environmental satin silver
- BZ: bronze
- PR: primer
- CF: consult factory for custom finish

Note: Remote driver ordered separately, refer to supplemental driver details sheet for availability

MOUNTING

DESCRIPTION



- Ø 1-3/8" LED housing with frosted lens
- Aluminum end cap/arm couplers
- Threaded arm tube
- Aluminum arm sleeve
- Ø 4-3/4" wall box mounting plate
- Flat head Phillips mounting plate screw