

3" square rectilinear LED fixture with flush lens for outdoor applications

Project: _____ Type: _____



FEATURES

The BSW214 is a linear LED luminaire for outdoor lighting applications. The 3" square extrusion is fitted with a flush, frosted lens and machined aluminum end caps.

SPECIFICATIONS

Fixture constructed of an extruded aluminum, extruded, frosted acrylic lens and machined aluminum end caps

Standard finishes as shown below

Available in nominal lengths of 2'-8' single fixtures and continuous runs for surface and wall mount applications

Housing provided with a Ø7/8 hole for back feeding

Standard integral 120-277V wet location driver offered with 0-10V dimming or non-dim

Standard outputs are 390, 775 and 1000 lumens per foot

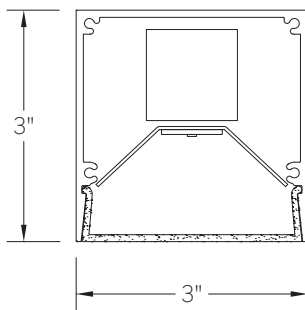
LEDs available in 2700K, 3000K, 3500K and 4000K, within a 3 step MacAdam ellipse, all with 80+ CRI typical

Life: 50,000 hours L₇₀

Limited five year warranty

UL and C-UL listed for wet locations

SECTION



PERFORMANCE

| NOMINAL LENGTH | OUTPUT | LUMENS/ft. | WATTS/ft. | LUMINAIRE LUMENS | EFFICACY (LPW) |
|----------------|------------|------------|-----------|------------------|----------------|
| 4' | L: low | 390 | 4.0 | 1554 | 98 |
| | R: regular | 775 | 8.0 | 3104 | 97 |
| | H: high | 1000 | 10.3 | 3995 | 97 |

Note: All data reflects fixtures with 3500K LEDs



BSW214 -

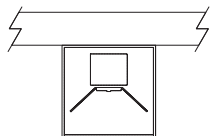
| | | | | | | |
|--|---|---|---|-----------------------------------|--|--|
| NOMINAL FIXTURE LENGTH* 2: 24-5/8" 3: 36-5/8" 4: 48-5/8" 5: 60-5/8" 6: 72-5/8" 7: 84-5/8" 8: 96-5/8" | CORRELATED COLOR TEMPERATURE 27: 2700K-80+ CRI 30: 3000K-80+ CRI 35: 3500K-80+ CRI 40: 4000K-80+ CRI | DRIVER IN: non-dimming ID: 0-10V dimming, 5% | LIGHT OUTPUT (lumens per foot) L: low - 390 R: regular - 775 H: high - 1000 | MOUNT SM: surface mount | RUN CONFIGURATION SN: single ST: starter AD: adder TR: terminator | FINISH AW: architectural white (semi-matte) WH: white (semi-gloss) BL: black (semi-matte) MB: matte black ESS: environmental satin silver BZ: bronze PR: primer CF: consult factory for custom finish |
|--|---|---|---|-----------------------------------|--|--|

* Actual dimension dependent on run configuration

MOUNTING

ORDERING CODE

DESCRIPTION



SM

SURFACE MOUNT

- Use appropriate fastener through $\varnothing 3/16''$ holes in housing
- Power entry through $\varnothing 7/8$ hole on the back at an end

EPA CALCULATIONS

| LENGTH ORDERING CODE | EPA |
|-------------------------|----------------------|
| 2 | 0.99 ft ² |
| 3 | 1.46 ft ² |
| 4 | 1.94 ft ² |
| 5 | 2.42 ft ² |
| 6 | 2.89 ft ² |
| 7 | 3.36 ft ² |
| 8 | 3.84 ft ² |