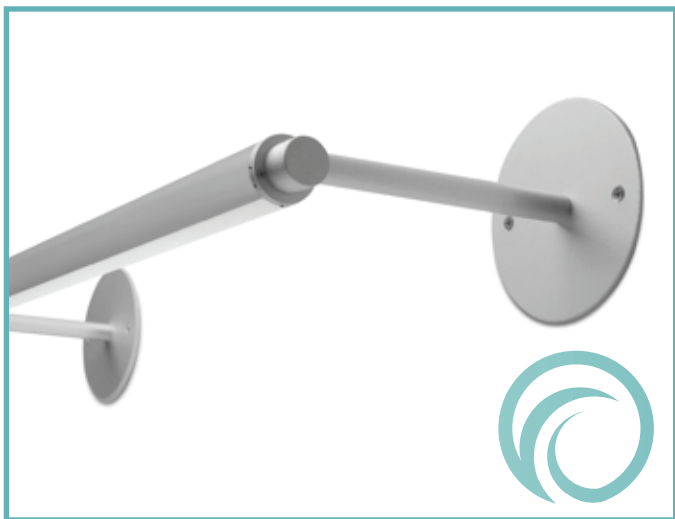


1-3/8" O.D. arm mount LED luminaire for outdoor locations and remote driver operation

Project: _____ Type: _____



FEATURES

The BSW501 is a wet location, arm mounted LED luminaire, ideally suited for wall wash and facade lighting. The Ø1-3/8" extruded aluminum housing rotates on slender aluminum arms for flexible aiming. Each fixture is paired with a remote mounted, wet location 0-10V dimming or non-dimming driver and housing.

SPECIFICATIONS

Fixture housing constructed of an extruded aluminum tube, frosted acrylic extruded lens and sheet aluminum end caps

Fixture arms are constructed of zinc plated steel pipe Ø5/8" extruded aluminum sleeves and machined aluminum end cap couplers.

Includes Ø4-3/4" aluminum plate for mounting to 4" octagonal wall boxes (by others).

Standard finishes as shown below

Single and continuous run fixtures available with arm center distances of 2'-5" nominal

Arms allow fixture to project from a wall or roofline nominally 3", 6" or 12"

Fixture housing rotates 332° and is locked in place with hex fastener

Fixture wired with 10' low voltage leads (measured from the end cap)

Included remote 120-277V wet location driver offered with 0-10V dimming or non-dim and surface mount aluminum enclosure

Performance data pending lab tests

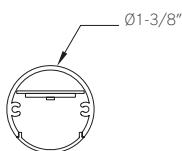
LEDs available in 3000K, 3500K and 4000K, within a 3 step MacAdam ellipse, all with 80+ CRI typical

Life: 50,000 hours L70

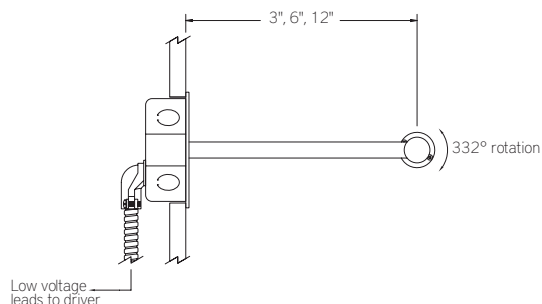
Limited five year warranty

UL and C-UL listed for wet locations

SECTION



PROFILE



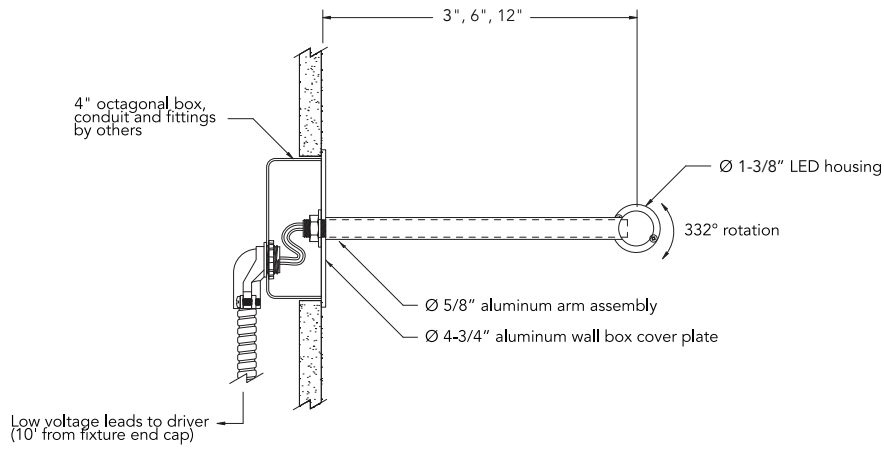
BSW501 -

ARM CENTER DISTANCE 2: 25-1/4" 3: 36-5/8" 4: 48-1/8" 5: 59-1/2"	CORRELATED COLOR TEMPERATURE 30: 3000K-80+ CRI 35: 3500K-80+ CRI 40: 4000K-80+ CRI	DRIVER [remote] RN: non-dimming RD: 0-10V dimming, 5%	LIGHT OUTPUT (lumens per foot) H: high - 735	NOMINAL ARM LENGTH 3: 3" 6: 6" 12: 12" CF: consult factory for custom arm length	RUN CONFIGURATION SN: single ST: starter AD: adder TR: terminator	FINISH AW: architectural white (semi-matte) WH: white (semi-gloss) BL: black (semi-matte) MB: matte black ESS: environmental satin silver BZ: bronze PR: primer CF: consult factory for custom finish
--	--	--	--	---	--	--

Note: Each fixture includes a remote driver matched for fixture length and light output.

MOUNTING

DESCRIPTION



- Ø 1-3/8" LED housing with frosted lens
- Aluminum end cap/arm couplers
- Threaded arm tube
- Aluminum arm sleeve
- Ø 4-3/4" wall box mounting plate
- Flat head Phillips mounting plate screw

EPA CALCULATIONS

LENGTH ORDERING CODE	EPA
2	0.27 ft ²
3	0.38 ft ²
4	0.51 ft ²
5	0.62 ft ²