

IMPORTANT - For your safety, read and understand instructions completely before installation. Luminaires must be installed by a qualified electrician (check with local and national codes for proper installation). Save these instructions for future reference.

WARNING - Risk of shock or fire. Disconnect power before installing Or servicing.

WARNING - Risk of shock or fire. LED Retrofit Kit installation requires knowledge of luminaires electrical systems. If not qualified, do not attempt installation. Contact a qualified electrician.

WARNING - Risk of shock or fire. Install this kit only in luminaires that have the construction features and dimensions shown in the photographs and/or drawings and where the input rating of the retrofit kit does not exceed the input rating of the luminaire.

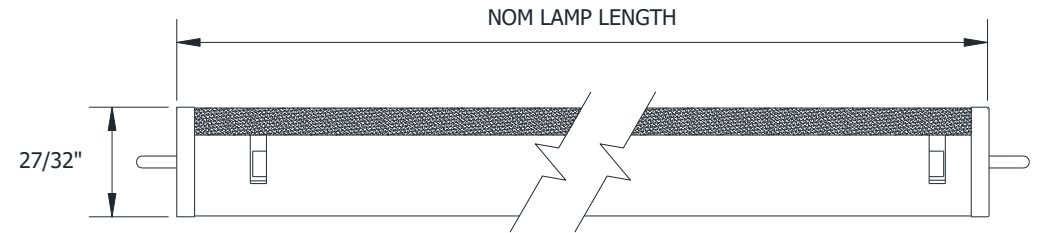
WARNING - To prevent wiring damage or abrasion, do not expose wiring to edges of sheet metal or other sharp objects.

WARNING - Do not use this retrofit kit in luminaires employing shunted bi-pin lamp holders. Shunted lamp holders are found only in fluorescent luminaires with Instant-Start ballasts. Instant-start ballasts can be identified by the words "Instant Start" or "I.S." marked on the ballast. This designation may be in the form of a statement pertaining to the ballast itself, or may be combined with the marking for the lamps with which the ballast was intended to be used, for example F40T12/IS. For more information, contact the LED luminaire retrofit kit manufacturer.

Retrofit Instructions:

1. Verify that all accessories are included in packaging.
2. Remove fluorescent lamp from luminaire where installing retrofit kit.
3. Open/Remove wiring compartment cover to access ballast and lamp holders. Do not make or alter any open holes in an enclosure of wiring or electrical components during kit installation.
4. Cut off all wires connected to the ballast in order to bypass. Refer to diagrams on next page.
5. Any unused conductors must be capped with a wire connector.

PREFIX	LAMP PIN ORIENTATION	NOMINAL LAMP LENGTH	CORROLATED COLOR TEMPERATURE	LENS	DRIVER
SK21-BI	90: 90°	1: 11-1/4"	27: 2700-90+ CRI	F or W: White Polycarbonate	ND: Non-Dimming
	180: 180°	2: 21-7/16"	30: 3000-90+ CRI	C: Clear Polycarbonate	D: 0-10V, 5%
		3: 33-1/4"	35: 3500-90+ CRI		
		4: 45-/8"	40: 4000-90+ CRI		



Included in kit:

1. SK21-BI LED
2. These Instructions
3. Marking label below:

This luminaire has been modified to operate LED lamps. Do not attempt to install or operate T5 fluorescent lamps in this luminaire.

LED lamp replacement Model: SK21-BI - _ - _ - _

Contact Bartco Lighting Inc. for lamp replacement

Installer should not disconnect existing wires from lamp holder terminals to make new connections at lamp holder terminals. Instead, installer should cut existing leads away from the lamp holder and make new electrical connections to lamp holder lead wires by employing applicable connectors.

IMPORTANT - If retrofit kit must be used in luminaire with shunted bi-pin lamp holders where internal circuit cannot be broken, please contact manufacturer for replacement lamp holders available.

Do not make or alter any open holes in an enclosure of wiring or electrical components during kit installation.

ADVISORY – Installer must examine any parts not replaced by this kit for damage and must replace any damaged parts prior to installation of the retrofit kit.

Figure A - Retrofit Luminaire with Rapid Start Ballast

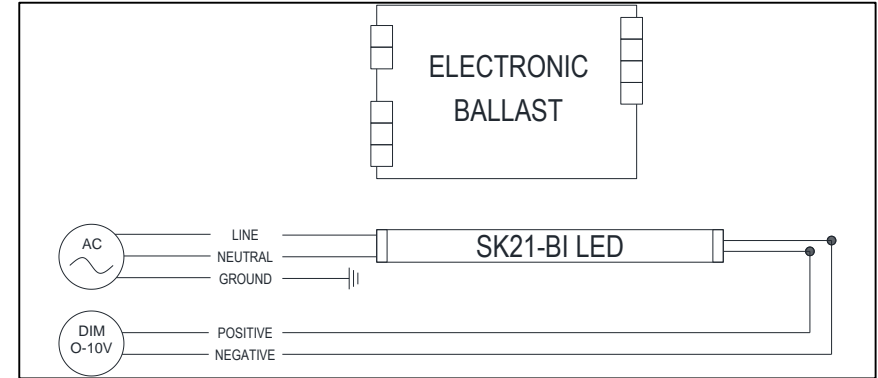
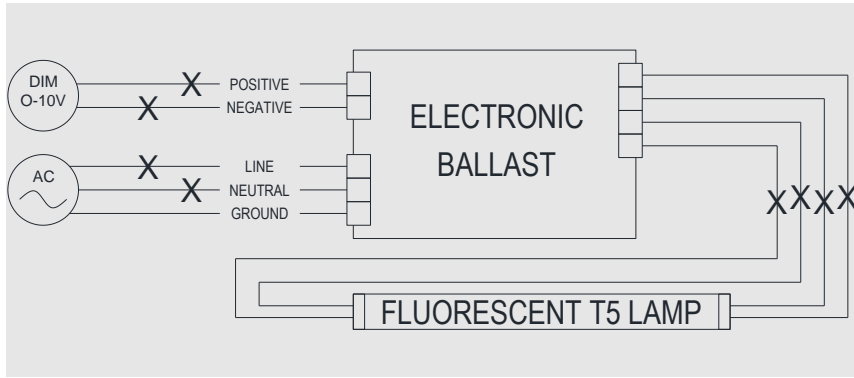


Figure B - Retrofit Luminaire with Instant Start Ballast

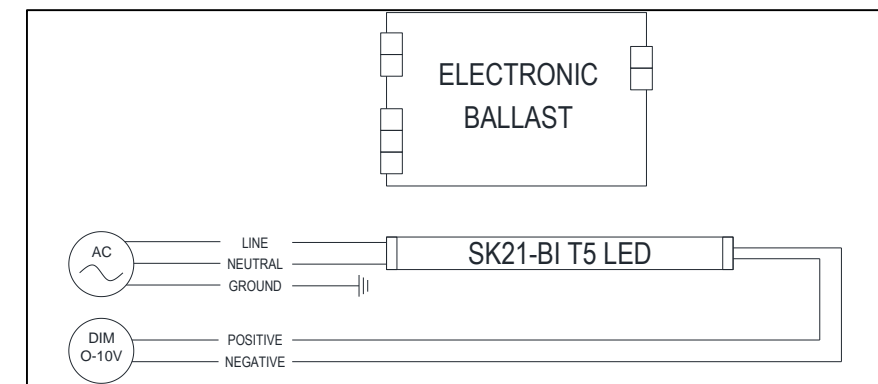
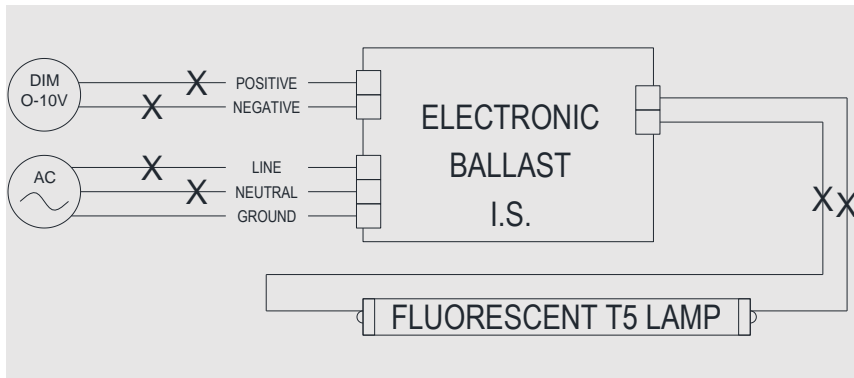


Figure C - Retrofit Luminaire pin polarity

