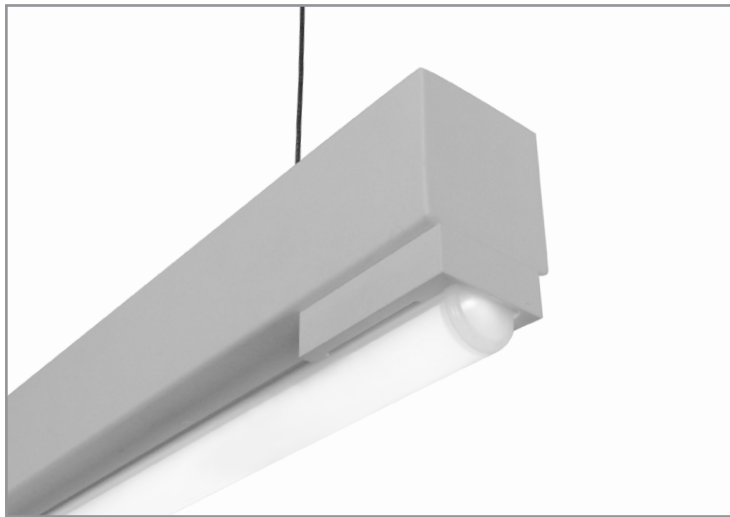


BL6300 | GENERAL INFORMATION

Cable mount luminaire for use with Seamlessline LED lamp



Project: _____ Type: _____



FEATURES

The BL6300 is a clean, sheet formed, cable mount luminaire designed to enhance the qualities of the Seamlessline LED lamp. The fixture is offered in a broad range of standard powder coat and stainless steel finishes and manufactured in 3'-8" nominal lengths for all available sizes of the proprietary tubular LED source. The integral driver is available with non-dim or 0-10V dimming control.

SPECIFICATIONS

Fixture constructed of formed and welded, 20 ga. steel, chemically treated to resist corrosion and enhance paint adhesion and machined aluminum lamp socket covers

Standard finishes as shown below

Available for 34", 40", 50" and 60" nominal length Nippo Seamlessline LED lamp in single fixture, continuous run and some tandem configurations

Basic continuous run fixtures provided with 18 ga. wiring harness for 6 Amp maximum

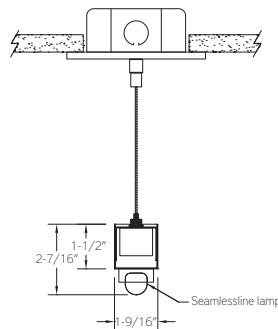
Standard integral 120-277V driver offered with 0-10V dimming or non-dim

Seamlessline LED lamps ordered separately – see supplementary lamp info. sheet for details

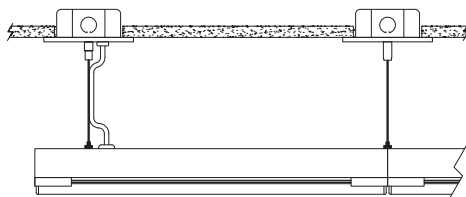
UL listing pending

Limited five year warranty

SECTION



PLAN / SIDE



PERFORMANCE

NOMINAL LENGTH	LUMENS/ft.	WATTS/ft.	LUMINAIRE LUMENS	EFFICACY
50"	412	5.4	1692	76

Note: All data reflects fixture with 3500K Seamlessline LED lamp



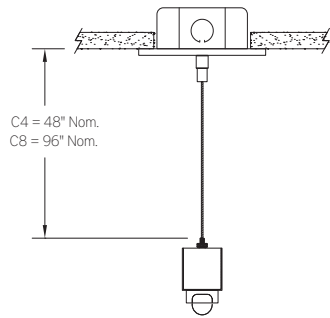
BL6300 -

NOMINAL FIXTURE LENGTH 34: 34-15/32" 40: 39-13/32" 50: 49-9/32" 60: 59-3/32" 4040: 78-13/16" 5050: 98-19/32"	DRIVER ND: non-dimming D: dimming 0-10V, 6%	MOUNT C4: cable mount 4' cable length C8: cable mount 8' cable length CF: consult factory for custom mounting	RUN CONFIGURATION SN: single ST: starter AD: adder TR: terminator	FINISH AW: architectural white (semi-matte) WH: white (semi-gloss) BL: black (semi-matte) MB: matte black ESS: environmental satin silver BZ: bronze PR: primer S4: #4 brushed stainless steel S8: #8 polished stainless steel CF: consult factory for custom finish
---	--	---	--	---

MOUNTING

ORDERING CODE

DESCRIPTION



C4 and C8

CABLE MOUNT

Mounting option includes:

- Ø 1/16" x 48" (C4) or 96" (C8) aircraft cables
- 60" (C4) or 108" (C8) power cable (in coordinating finish)
- Bracket bars
- Ø 5" white canopies
- Ceiling couplers
- Cable grippers