

## LENGTH / MOUNTING DIMENSIONS

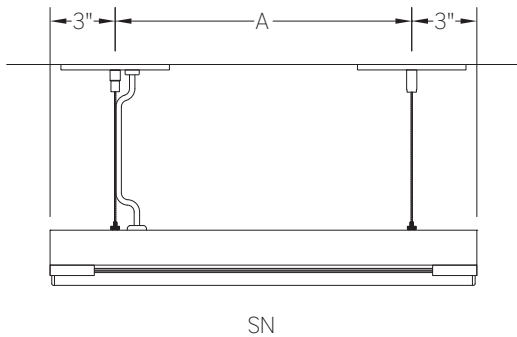
ORDERING CODE	LENGTH A	LENGTH B	LENGTH C
34	28-15/32"	31-15/32"	34-15/32"
40	33-13/32"	36-13/32"	39-13/32"
50	43-9/32"	46-9/32"	49-9/32"
60	53-3/32"	56-3/32"	59-3/32"
4040	72-13/16"	75-13/16"	78-13/16"
5050	92-19/32"	95-19/32"	98-19/32"

## RUN CONFIGURATION INFORMATION

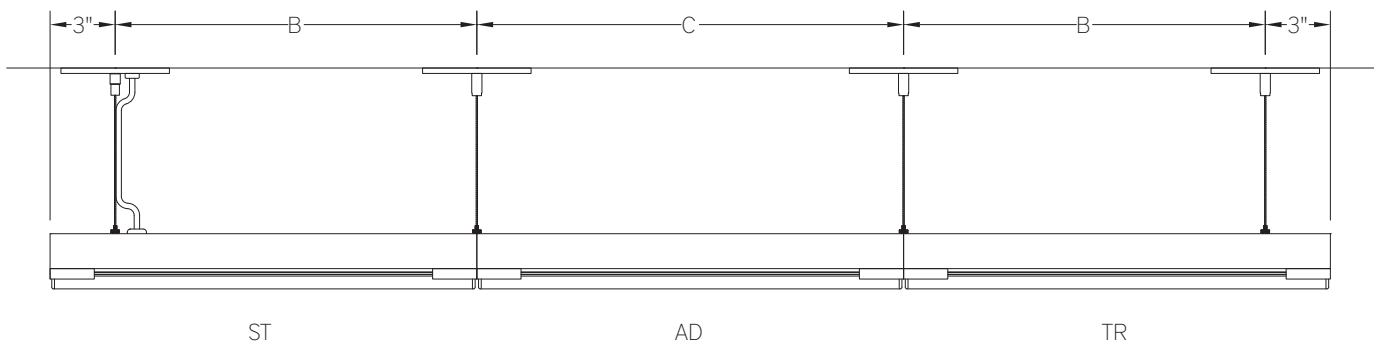
ORDERING CODE	DESCRIPTION
SN	Single
ST	Starter
AD	Adder
TR	Terminator

## RUN INFORMATION

Side View - Single Fixture Option

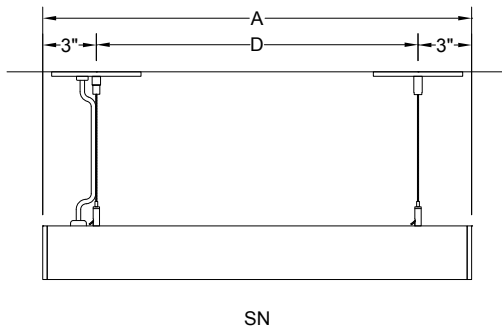


Side View - Continuous Run Option



## RUN INFORMATION

Side View - Cable Mount Single Fixture Option



Side View - Cable Mount Continuous Run Option

